

# STRATUS 1000

*Professional fog machine*



## **USER MANUAL / MANUAL DE USUARIO**

PLEASE READ THE INSTRUCTIONS CAREFULLY BEFORE USE  
POR FAVOR LEA LAS INSTRUCCIONES ANTES DE USAR



# 1. OVERVIEW

---

## **Stratus 1000**

*Professional fog machine - Wireless control*

**Stratus 1000** is a high performance fog machine with an output of 10,000 cubic feet per minute, providing easy operation and a low warm up time of 3 minutes. Its tank has a capacity of 1 liter (35.2 Oz.) and it can be controlled with a wireless remote control. Stratus 1000 is ideal for mobile applications and social events.

## **Specifications**

---

### ***Output***

- Smoke output: 10,000 cubic feet per minute
- Warm up time: 3 minutes
- Tank: 1 lt./ 35.2 Oz.
- Liquid consumption: 77 ml/min / 2.7 oz/min

### ***Control***

- Operational modes: Stand alone, Wired remote control and Wireless remote control

### ***Physical***

- Dimensions: 297x225.4x214.9 mm. / 11.7x8.9x8.5 in.
- Weight: 2.4 Kg. / 5.28 Lbs.

## 2. BEFORE YOU BEGIN

---

### What Is Included

- Stratus 1000
- FC-M Wired Remote Control
- FC-W Wireless Remote
- Warranty Card

### Unpacking Instructions

Carefully unpack the product immediately and check the container to make sure all the parts are in the package and are in good condition.

### Claims

If the box or the contents (the product and included accessories) appear damaged from shipping, or show signs of mishandling, notify the carrier immediately, not Ampro. Failure to report damage to the carrier immediately may invalidate your claim. In addition, keep the box and contents for inspection. For other issues, such as missing components or parts, damage not related to shipping, or concealed damage, file a claim with Ampro within 7 days of delivery.

### Text Conventions

**1—512** A range of values.


**50/60** A set of values.


**Settings** A menu option.


**Menu > Settings** A sequence of menu options.

**<Enter>** A button.

### Symbols


 Critical installation, configuration, or operation information. Not following these instructions may make the product not work, cause damage to the product, or cause harm to the operator.


 Important installation or configuration information. The product may not function correctly if this information is not used.

 Useful information.

### Safety Notes

These notes include important information about the mounting, usage, and maintenance of this product; read before using the product.

-  Always connect the product to a grounded circuit to avoid the risk of electrocution.
- Always disconnect the product from the power source before cleaning or replacing the fuse.
- Make sure the power cord is not crimped or damaged.
- Never disconnect the product from power by pulling or tugging on the cord.
- If mounting the product overhead, always secure to a fastening device using a safety cable.
- Make sure there are no flammable materials close to the product when operating.
- Do not touch the product's housing when operating because it may be very hot.
- Do not mount the product on a flammable surface (linoleum, carpet, wood, paper, carton, plastic, etc.).
- The product's nozzle is very hot during operation and it remains hot for a long time after operation has stopped.
- The fog exits the nozzle at a very high temperature. Keep a minimum distance of 6.5 ft (2 m) from the nozzle to the nearest object.
- Do not use the product as a space heater.
- Do not drink or come in contact with the fog fluid. If you do, call your local emergency service (911 in the US) for help.
- Do not add perfume, alcohol, gasoline, or any other flammables to the fog fluid.

 Always make sure that the voltage of the outlet to which you are connecting the

product is within the range stated on the decal or rear panel of the product.

- The product is for indoor use only! (IP20) To prevent risk of fire or shock, do not expose the product to rain or moisture.
- Always install the product in a location with adequate ventilation, at least 20 in (50 cm) from adjacent surfaces.
- Be sure that no ventilation slots on the product's housing are blocked.
- Never connect the product to a dimmer or rheostat.
- Make sure to replace the fuse with another of the same type and rating.
- Never carry the product from the power cord or any moving part. Always use the hanging/mounting bracket.
- The maximum ambient temperature ( $T_a$ ) is 104 °F (40 °C). Do not operate the product at higher temperatures.
- In the event of a serious operating problem, stop using the product immediately.
- Never try to repair the product. Repairs carried out by unskilled people can lead to damage or malfunction. Contact the nearest authorized technical assistance center.
- This product is not intended for permanent installation.
- Use only AMPRO water-based fog fluid.
- Drain the tank before transporting or storing the product.
- To eliminate unnecessary wear and improve its lifespan, during periods of non-use completely disconnect the product from power via breaker or by unplugging it.



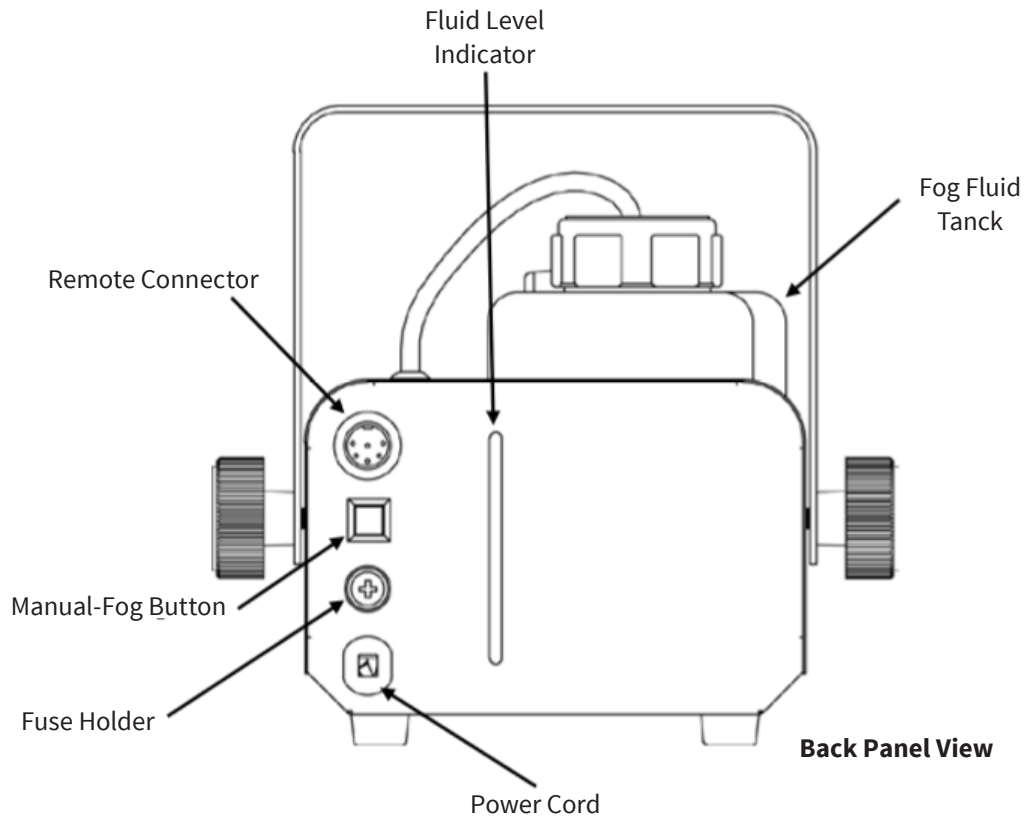
Keep this User Manual for future use. If you sell the product to another user, be sure to give this document to the next owner.



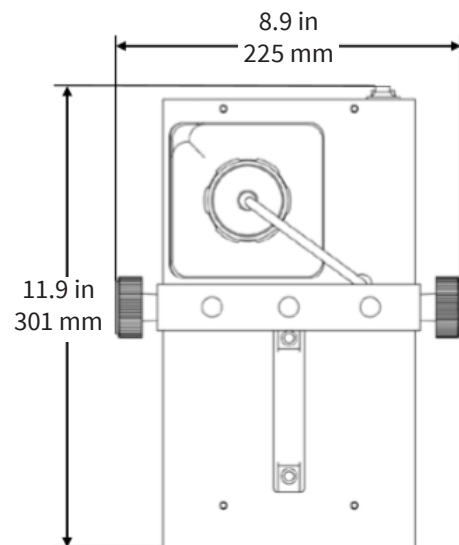
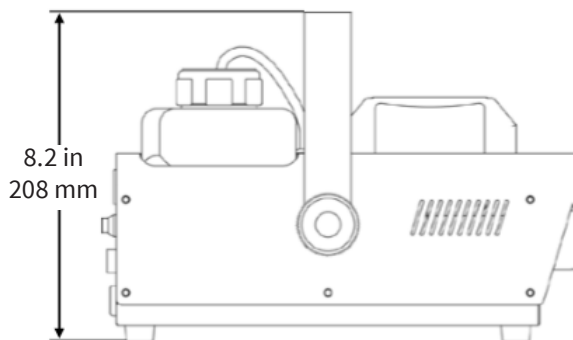
FCQ (Fog Cleaner Quart) was specifically developed by Chauvet to clean your Stratus 1000. Make sure you use FCQ regularly, no longer than 90 days between cleanings, to increase the life of your fogger.

# 3. INTRODUCTION

## Overview



## Dimensions



## 4. SETUP

---

### AC Power

To determine the product's power requirements (circuit breaker, power outlet, and wiring), use the current value listed on the label affixed to the product's back panel, or refer to the product's specifications chart. The listed current rating indicates the product's average current draw under normal conditions.

- Always connect the product to a protected circuit (circuit breaker or fuse). Make sure the product has an appropriate electrical ground to avoid the risk of electrocution or fire.
- To eliminate unnecessary wear and improve its lifespan, during periods of non-use completely disconnect the product from power via breaker or by unplugging it.

*Never connect the product to a rheostat (variable resistor) or dimmer circuit, even if the rheostat or dimmer channel serves only as a 0 to 100% switch.*

### Fuse Replacement

1. Disconnect the product from power.
2. Twist the fuse holder cap counterclockwise to loosen the fuse holder and pull straight out.
3. Remove the blown fuse.
4. Replace with a fuse of the same type and rating.
5. Screw the fuse holder cap back in place and reconnect power.

- *Disconnect the product from power before replacing the fuse.*
- *Always replace a blown fuse with another of the same type and rating.*

### Mounting

Before mounting the product, read and follow the safety recommendations indicated in the Safety Notes.

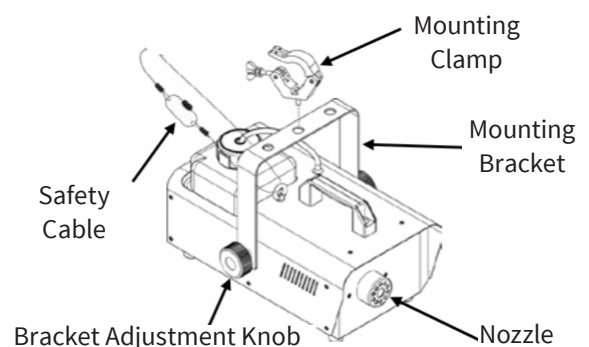
### Orientation

This product may not be tilted. This product should only be mounted/used on a level surface.

### Rigging

- Before deciding on a location, always make sure there is easy access to the product for maintenance and fluid replenishment.
- Make sure that the structure or surface onto which you are mounting the product can support the product's weight (see the Technical Specifications).
- When mounting the product overhead, always use a safety cable. Mount the product securely to a rigging point, such as an elevated platform or a truss.
- When rigging the product onto a truss, you should use a mounting clamp of appropriate weight capacity. The bracket has 13-mm holes, which are appropriate for this purpose.
- The rubber feet also serve as floor supports and allow for surface mounting. When mounting the product on the floor, make sure that the product and cables are away from people and vehicles.

### Mounting Diagram



While operating the Stratus 1000, make sure there is adequate fog fluid in the machine to prevent pump and heater damage. When the fog fluid level

becomes low, simply add more fog fluid to continue using the Stratus 1000.

## 5. OPERATION

---

### Remote or Manual Operation

The Stratus 1000 can be operated manually, or with the included wired manual remote control (FC-M). The Manual button is located on the rear of the unit. See the product Overview. Additionally, the product can be operated with the included wireless remote (FC-W) or the optional wired timer controller (FC-T).

#### Wired Manual Remote Control (FC-M)

1. Plug in the fog machine to power.
2. Plug in the wired manual remote control to the Remote Connector socket on the back of the fog machine. (See the product Overview.)
3. Wait for the READY indicator LED to light up, indicating the Stratus 1000 is heated enough to produce fog.
4. Press and hold the <FOG> button on the wired manual remote control.
5. Release the button to stop the fog output.

#### FC-M Manual Remote Control Overview



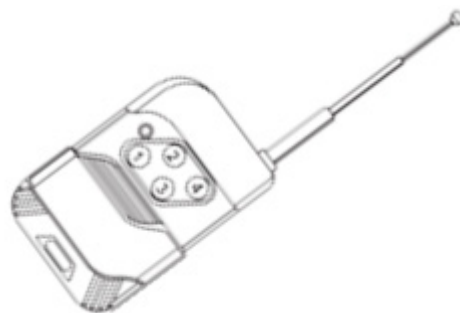
- The Stratus 1000 unit may start producing fog intermittently to allow for fluid reheating after a period of continuous fog output. This is a normal occurrence.
- The duration of manual fog output is based on the capability of the fog machine.

### Wireless Remote (FC-W)

The FC-W wireless remote allows the user to trigger the Stratus 1000 to produce fog from up to 100 ft away. No extra receiver is required, as the product has an internal receiver for the wireless remote.

1. Plug in the fog machine to power.
2. Allow the Stratus 1000 up to 3-4 minutes to heat up.
3. Press and hold the <1> button on the wireless remote.
4. Release the button to stop the fog output.

#### FC-W Wireless Remote Overview



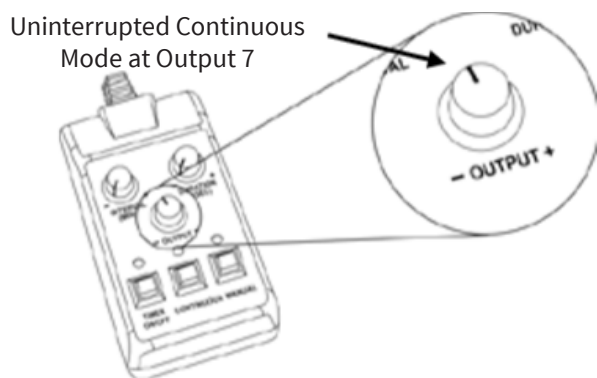
- Ensure the FC-W has an unobstructed view of the product for maximum performance.
- The <2>, <3>, and <4> buttons are reserved for future use.

## Wired Timer Controller (FC-T) Setup

The FC-T wired timer controller allows you to automatically trigger fog output by setting interval and duration times. LED indicator lights display the machine and controller's current state. Rotary knobs set interval time, output, and duration time, while manual and continuous buttons allow overriding control.

1. Plug in the fog machine to power.
2. Plug in the wired timer controller to the Manual Remote Connector socket on the back of the fog machine. (See the product Overview.)
3. Allow the Stratus 1000 three to four minutes to heat up before continuing.

### FC-T Wired Timer Controller Overview



### Wired Timer Controller (FC-T) Operation

The FC-T wired timer controller has three modes of operation: timer, continuous, and manual.

#### Timer Mode

To trigger the Stratus 1000 with the timer function, follow the instructions below:

1. Set the desired output level with the OUTPUT knob.
2. Set the INTERVAL and DURATION knobs to the desired positions.
  - The INTERVAL knob sets the amount of time in between bursts of fog.
  - The DURATION knob sets the length of time that the fog machine will run during the burst.

3. Press the <TIMER ON/OFF> latching button. The LED indicator above the button will light up. The timer will now run as set by the INTERVAL, DURATION, and OUTPUT knobs.
4. Press the <TIMER ON/OFF> button again to turn off the timer.

*The <MANUAL> button will override the timer.*

#### Continuous Mode

To trigger the Stratus 1000 to continuously output fog, follow the instructions below:

1. Set the desired output level with the OUTPUT knob.
2. Press the <CONTINUOUS> latching button. The LED indicator above the button will light up. The fog machine outputs fog until the <CONTINUOUS> button is pressed again.
3. Press the <CONTINUOUS> button again to stop the fog output.

*DO NOT run the product in Continuous mode for longer than 15 minutes. Continuous mode must be followed by an equal amount of time without output (For example: follow 8 minutes of Continuous operation with 8 minutes of no output). DO NOT trigger the product to output fog during that time.*

- *In order for Continuous mode to run uninterrupted, without the Hurricane 1000 stopping to reheat, set the OUTPUT knob no higher than 7. At Output levels above 7, the fogger will cycle through intermittent bursts of fog during its reheating program.*
- *The duration of Continuous fog output is based on the capacity of the tank.*
- *Fluid consumption will be significantly increased during Continuous mode.*



## 6. TECHNICAL INFORMATION

---

### Fogger Maintenance

Do not allow the fogger to become clogged. After every 40 hours of continuous operation, use Ampro Fog Cleaner Quart (FCQ) through the system to prevent the accumulation of particulate matter in the heating element. The recommended cleaning procedure is as follows.

1. Unplug the product from power.
2. Empty all fog fluid from the machine.
3. Add cleaning solution to the tank.
4. Connect the product to power and allow it to warm up.
5. Run the unit in a well-ventilated area until the tank is almost empty. Do not allow the pump to run dry.
6. Refill with fogger fluid to continue using the fogger. Run the machine briefly to clear any remaining cleaning solution from the pump and heater.

*Do Not operate the machine without fluid at any time.*

*Fog Cleaner Quart (FCQ) was specifically developed by Ampro to clean your Stratus 1000. Make sure you use FCQ regularly, no longer than 90 days between cleanings, to increase the life of your product.*

### Storage

Before storing the fogger, run FCQ through the system as described in the cleaning procedure above; however, only follow steps 1 through 5. *Do not refill the tank with fog fluid if storing the fogger.* Cleaning the system prior to storage will help prevent any particles from condensing inside the pump or heater while not in use.

*Test-run your Stratus 1000 on a monthly basis to achieve the best performance.*

## 7. GENERAL TROUBLESHOOTING

Symptom	Possible Cause	Possible Action
No output or short output	Line blockage or air in fluid line	Make sure there is fluid in the tank
		Turn fog machine 45° to flatten out the bubble and allow the fog fluid to flow properly
		Turn off the product for 5 seconds, and then turn it back on. Repeat as necessary. <b>Note:</b> After more than 10 attempts, contact Customer Service.
	Incorrect fluid	Clean thoroughly with AMPRO FCQ. For full instructions, see Fogger Maintenance. Refill with AMPRO water-based fog fluid.
No output or spitting fluid	Incorrect fluid	Clean thoroughly with AMPRO FCQ. For full instructions, see Fogger Maintenance. Refill with AMRPO water-based fog fluid.
	Blocked pipes	Contact Customer Service
	Failing part	Contact Customer Service
Fuse keeps blowing	Excessive load on the circuit	Make sure that the total load does not exceed 80% of the breaker or fuse nominal current
	Short circuit along the power lines	Check the power lines and power cords
Product does not power up	No energy on power outlet	Check power outlet Change to another outlet
	Loose or damaged power cord	Check the power cord
	Blown fuse	Replace blown fuse with a good one of the same type and rating
	Internal problem	Send product for repair
Product stops pumping/ Loud noise	Low/NO Fluid	Refill product with fluid

*If you still experience problems after trying the solutions presented here, contact AMPRO Technical Support.*

**Design and product specifications are subject to change without prior notice.**

# 1. DESCRIPCIÓN

---

## **Stratus 1000**

*Máquina de humo profesional - Control inalámbrico*

**Stratus 1000** es una máquina de humo profesional de alto desempeño con una salida de 10,000 pies cúbicos por minuto, fácil de operar y con un tiempo de precalentado de 3 minutos. Su tanque tiene una capacidad de 1 litro y como punto saliente trae incluido un control wireless para manejar el equipo sin ataduras. Stratus 1000 es ideal para aplicaciones móviles y eventos sociales.

## **Especificaciones**

---

### **Salida**

- Salida de humo: 10,000 pies cúbicos por minuto
- Tiempo de calentamiento: 3 minutos
- Tanque: 1 lt. / 35.2 Oz.
- Consumo de líquido: 77 ml/min / 2.7 oz/min

### **Control**

- Modos de operación: Stand alone, Control remoto con cable y control remoto inalámbrico

### **Físico**

- Dimensiones: 297x225.4x214.9 mm. / 11.7x8.9x8.5 pulg.
- Peso: 2.4 Kg. / 5.28 Lbs.

## 2. ANTES DE COMENZAR

---

### Contenido

- Stratus 1000
- Control remoto con cable
- Control remoto inalámbrico
- Tarjeta de garantía

### Instrucciones al abrir el producto

Abra el equipo con cuidado y verifique que todas las piezas se encuentren presentes y en buen estado.

### Reclamos

En caso de que el contenido (productos y/o accesorios) no funcionase correctamente como consecuencia de un envío defectuoso, póngase en contacto con el distribuidor de inmediato. El incumplimiento de esta obligación, puede invalidar la garantía del producto. A su vez, procure conservar el embalaje original para su inspección.

Por otras incidencias, como piezas o componentes faltantes o daños ocultos o no relacionados con el envío, presente un reclamo con AMPRO dentro de los 7 días de entrega.

### Referencias del texto

**1—512** Rango de valores.

**50/60** Rango de valores.

**Ajustes** Opción de menú.

**Menú > Ajustes** Una secuencia de opciones de menú.

**<Enter>** Un botón.

### Símbolos



Información de funcionamiento, configuración o instalación primordial. Hacer caso omiso de estas instrucciones puede provocar averías en el producto o daños en el usuario.



Información de funcionamiento, configuración o instalación importante. Es posible que

el producto no funcione correctamente si se omite esta información.



Información útil.

### Instrucciones de seguridad



Lea atentamente el manual antes de utilizar el equipo, ya que contiene información importante sobre el funcionamiento, la instalación y el mantenimiento del equipo.

- Procure la conexión a tierra del equipo para evitar el riesgo de descarga eléctrica.
- Desconecte el equipo del suministro eléctrico antes de realizar cualquier tarea de mantenimiento.
- Verifique que el cable de alimentación no se encuentre cortado o dañado.
- Utilice el cable desde el enchufe. Nunca tire del cable para desconectar la unidad.
- En caso de instalar el equipo en altura, procure utilizar un cable de seguridad.
- Mantenga el equipo alejado de materiales inflamables o llamas expuestas.
- Evite entrar en contacto con la cubierta de la unidad cuando esté en funcionamiento, ya que podría estar muy caliente.
- Nunca instale el equipo sobre superficies inflamables (alfombras, madera, papel, plástico, cartón, etc.).
- No toque la salida de humo. Mantiene una temperatura elevada varias horas después de haberse apagado.
- El humo sale por la boquilla a una temperatura muy elevada. Mantenga una distancia mínima de 2 metros entre la salida de humo y otros objetos.
- No utilice la unidad como fuente de calefacción.
- No beba ni entre en contacto con el líquido de humo. En caso de ingerirlo, llame a un

- médico de inmediato.
- Compruebe que el voltaje utilizado no sea superior o inferior al indicado en el presente manual.
  - Este equipo se diseñó para uso en interiores (IP20). Proteja el equipo de la lluvia y la humedad excesiva para reducir el riesgo de descarga eléctrica o incendio.
  - Instale el equipo en ambientes con ventilación adecuada y mantenga una distancia mínima de 50 cm de otros objetos o superficies.
  - Procure no obstruir las ranuras de ventilación del equipo.
  - No conecte la unidad a un dimmer o reóstato.
  - Si precisa sustituir el fusible, asegúrese de utilizar uno del mismo tipo y rango.
  - Para trasladar la unidad, tómela siempre de la manija o del soporte de montaje, nunca del cable o de las piezas móviles.
  - No utilice el equipo si la temperatura ambiente supera los 40°C (104°F).
  - Desconecte el equipo de inmediato si observa un problema grave de funcionamiento.
  - El equipo no contiene piezas que puedan ser reparadas por el usuario. Las reparaciones realizadas por personas no calificadas pueden provocar daños irreversibles en el equipo. En caso de precisar asistencia, póngase en contacto con el servicio técnico autorizado.
  - La unidad no está diseñada para funcionar de forma permanente.
  - Utilice únicamente el líquido de humo a base de agua recomendado por AMPRO.



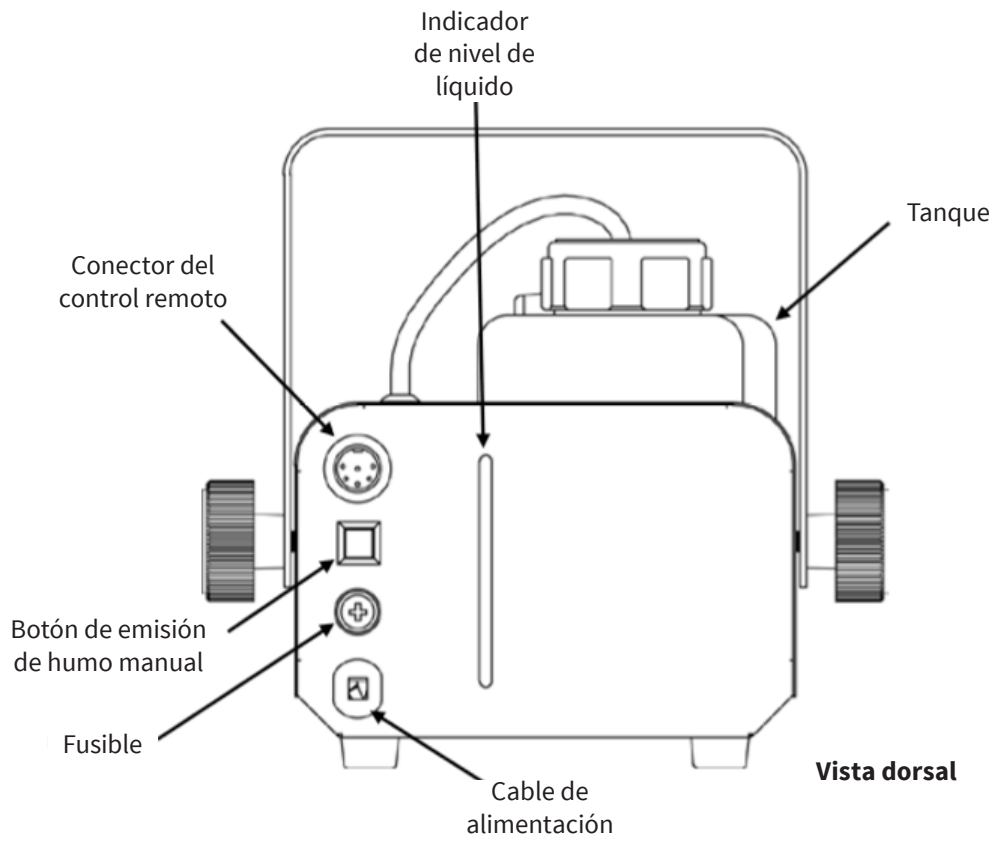
Conserve este manual para futuras referencias. En caso de vender la unidad, procure entregar esta guía al comprador.



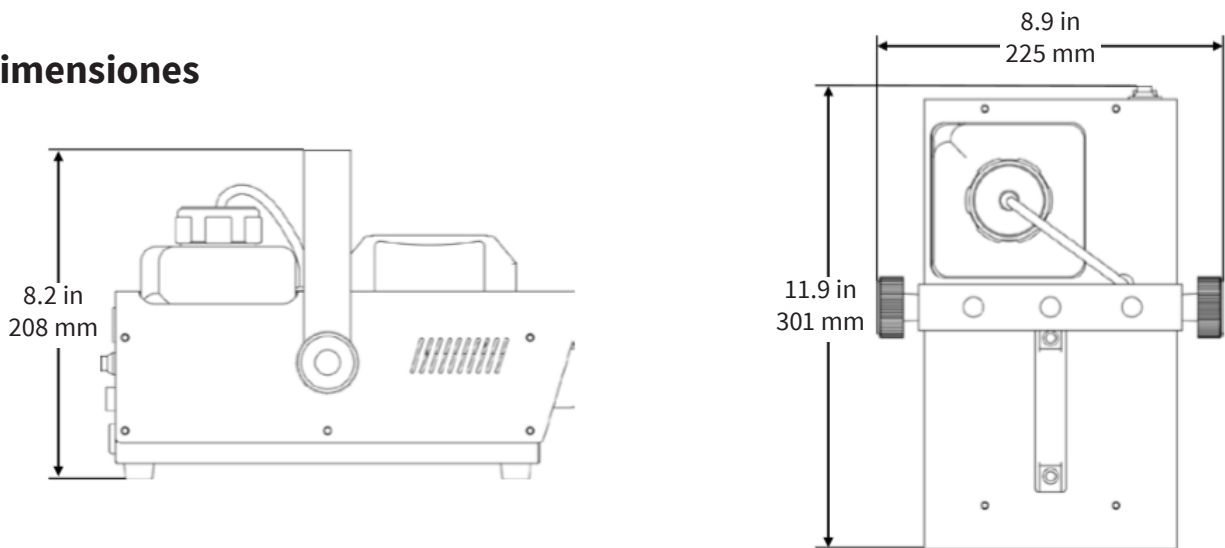
FCQ (Fog Cleaner Quart) fue específicamente desarrollado por AMPRO para limpiar su Stratus 1000. Asegúrese de utilizar su FCQ con frecuencia. Procure realizar la limpieza del equipo cada 90 días para prolongar su vida útil.

# 3. INTRODUCCIÓN

## El producto



## Dimensiones



## 4. INSTALACIÓN

### Alimentación CA

Para determinar los requerimientos de alimentación (disyuntor, cableado y toma de corriente), verifique los valores que aparecen en el panel dorsal del equipo o consulte las especificaciones técnicas. Los detalles de capacidad de corriente indican el consumo de corriente promedio en condiciones normales de uso.

- Siempre conecte el producto a un circuito protegido (con disyuntor o fusible). Asegúrese de que el equipo cuente con una conexión a tierra para prevenir el riesgo de descarga eléctrica o incendio.
- Para prolongar la vida útil del equipo, procure desconectarlo del suministro eléctrico durante los periodos de inactividad.

*Nunca conecte el equipo a un reostato (resistencia variable) o a un dimmer aunque funcionen solo como un conmutador de 0 a 100%.*

### Sustitución del fusible

1. Desconecte el equipo del suministro eléctrico.
  2. Gire la tapa de portafusibles hacia la izquierda y retírela.
  3. Extraiga el fusible quemado.
  4. Coloque un fusible nuevo del mismo tipo y rango.
  5. Vuelva a colocar la tapa y conecte el equipo
- *Desconecte el equipo del suministro eléctrico antes de reemplazar el fusible.*
  - *Si precisa sustituir el fusible, asegúrese de utilizar uno del mismo tipo y rango.*

### Instalación

Antes de realizar el montaje del equipo, lea atentamente las Instrucciones de seguridad.

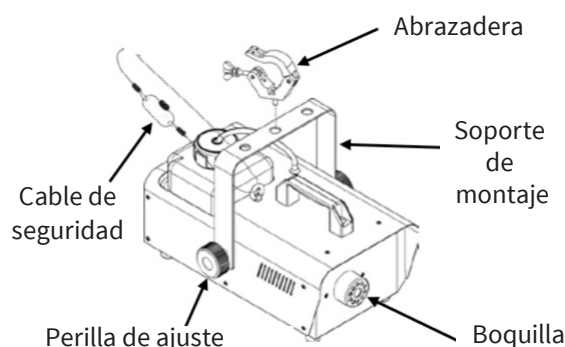
### Orientación

No se permite inclinar el equipo. Siempre instálelo sobre una superficie plana y estable.

### Montaje

- Antes de decidir el punto de instalación, verifique que sea una zona de fácil acceso para su mantenimiento y limpieza.
- Procure que la estructura, donde instalará el equipo, sea segura y pueda soportar el peso del equipo (ver Especificaciones técnicas).
- En caso de montaje en altura, siempre utilice un cable de seguridad. Asegure el equipo firmemente a un punto de instalación como una plataforma elevada o truss.
- En caso de montar el equipo en un truss, procure utilizar una abrazadera de montaje con la capacidad de carga adecuada. El soporte de montaje cuenta con orificios de 13 mm para este propósito.
- Las patas de goma también funcionan como apoyo en el suelo y facilitan el montaje en superficie. En caso de montar el equipo en el suelo, procure mantener los cables alejados de personas y vehículos.

### Diagrama de montaje



Antes de utilizar su Stratus 1000, verifique que haya líquido suficiente en el tanque para prevenir averías en la bomba y el calentador. Si el nivel de líquido

disminuye, simplemente añada más cantidad para continuar utilizando el equipo.

## 5. FUNCIONAMIENTO

### Operación manual o vía control remoto

El usuario puede operar su Stratus 1000 de forma manual o través del control remoto con cable incluido. El botón de emisión de humo manual se encuentra en el panel dorsal de la unidad (descripción del producto). A su vez, es posible operar el equipo a través del control remoto inalámbrico incluido o del temporizador con cable opcional.

#### Control remoto con cable

El control remoto con cable le permite al usuario iniciar y detener la emisión de humo. Funciona de la misma forma que el botón Manual del panel dorsal del equipo, con el agregado del indicador LED READY (preparado).

1. Conecte el equipo al suministro eléctrico.
2. Conecte el control remoto con cable en el panel dorsal del equipo. (Ver Descripción del producto.)
3. Espere a que se encienda el indicador LED READY. En ese momento el Stratus 1000 habrá finalizado el periodo de calentamiento.
4. Mantenga presionado el botón FOG.
5. Suelte el botón para detener la emisión de humo.

#### Descripción del control remoto con cable



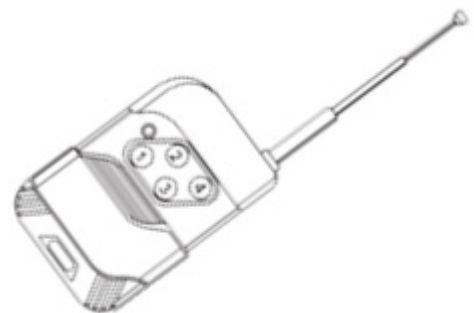
- Luego de periodos extensos de funcionamiento, es posible que el Stratus 1000 emita humo de forma intermitente mientras se recalienta el fluido. Se trata de un proceso normal.
- La duración de la emisión de humo manual depende de la capacidad del tanque.

### Control remoto inalámbrico

El control remoto con cable le permite al usuario activar la emisión de humo a una distancia máxima de 30 metros. No requiere de receptores adicionales, ya que el dispositivo cuenta con uno interno.

1. Conecte el equipo al suministro eléctrico.
2. Espere 3-4 minutos hasta que el Stratus 1000 complete el periodo de calentamiento.
3. Mantenga presionado el botón 1 para iniciar la emisión de humo.
4. Suelte el botón para detenerla.

#### Descripción del control remoto inalámbrico



- Para obtener resultados óptimos, procure apuntar el control remoto hacia el equipo sin obstrucciones de por medio.
- Los botones 2, 3 y 4 se mencionarán más adelante en el manual.



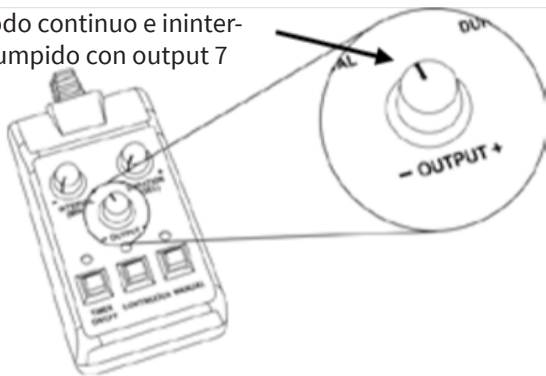
## Temporizador con cable

Este dispositivo le permite al usuario activar automáticamente la emisión de humo con intervalos y tiempos de duración. El indicador LED señala el estado actual del equipo y el temporizador. Utilice las perillas para configurar los intervalos, la emisión de humo y la duración; y los botones Manual y Continuous para el control primario del equipo.

1. Conecte el equipo al suministro eléctrico.
2. Conecte el temporizador con cable en el panel dorsal del equipo. (Ver Descripción del producto.)
3. Espere 3-4 minutos hasta que el Stratus 1000 complete el periodo de calentamiento.

### Descripción del temporizador con cable

Modo continuo e ininterumpido con output 7



### Temporizador con cable

El temporizador cuenta con tres modos de funcionamiento: timer, continuous y manual.

#### Modo Timer

Para activar este modo, siga los pasos descritos a continuación:

1. Configure el nivel de salida deseado con la perilla OUTPUT.
2. Configure los intervalos y la duración con las perillas INTERVAL y DURATION.
  - INTERVAL establece la cantidad de tiempo que habrá entre emisiones de humo.
  - DURATION establece la cantidad de tiempo que durará cada emisión de humo.
3. Presione el botón TIMER ON/OFF. El indicador LED, ubicado arriba del botón, se encenderá. El

temporizador funcionará de acuerdo a la configuración establecida de intervalos y duración.

4. Presione nuevamente el botón TIMER ON/OFF para apagar el temporizador.

*El botón MANUAL anula el modo timer.*

#### Modo Continuous

Para activar este modo, siga los pasos descritos a continuación:

1. Configure el nivel de salida deseado con la perilla OUTPUT.
2. Presione el botón CONTINUOUS. El indicador LED, ubicado arriba del botón, se encenderá.
3. Presione nuevamente el botón CONTINUOUS para detener la emisión de humo.

*No utilice el modo continuous por más de 15 minutos seguidos. Stratus 1000 necesita descansar la misma cantidad de tiempo que estuvo en modo continuous. Es decir, si hubo emisión durante 8 minutos, luego habrá 8 minutos sin emisión de humo. No ponga en funcionamiento el equipo durante ese periodo de tiempo.*

- *Si desea utilizar este modo de forma prolongada, sin detener el equipo por recalentamiento, configure la perilla de salida en un valor igual o menor a 7. Un nivel de salida superior a 7 hará que el equipo funcione en ciclos de emisión intermitente durante el proceso de recalentamiento.*
- *La duración de la emisión de humo continua depende de la capacidad del tanque.*
- *El modo continuous incrementa significativamente el consumo de líquido.*

## 6. LIMPIEZA Y MANTENIMIENTO

---

### Lineamientos generales

Se recomienda la limpieza regular de la unidad para evitar la obstrucción de los conductos. Cada 40 horas de uso, se recomienda utilizar el limpiador FCQ de AMPRO para prevenir la acumulación de partículas de suciedad en el sistema térmico de la unidad.

Procedimiento de limpieza sugerido:

1. Desconecte el equipo del suministro eléctrico.
2. Vacíe el tanque de su Stratus 1000.
3. Carguelo con una solución de limpieza.
4. Conecte la unidad y comience el calentamiento.
5. Ponga en funcionamiento la unidad en un ambiente bien ventilado hasta que casi vaciar el tanque. No permita que la bomba funcione en seco.
6. Vuelva a cargar el tanque con líquido de humo. Encienda brevemente el equipo para eliminar cualquier rastro de solución de limpieza de la bomba y el calentador.

*No haga funcionar el equipo sin líquido de humo. FCQ (Fog Cleaner Quart) fue específicamente desarrollado por AMPRO para limpiar su Stratus 1000. Asegúrese de utilizar su FCQ con frecuencia. Procure realizar la limpieza del equipo cada 90 días para prolongar su vida útil.*

### Almacenamiento

Antes de almacenar su Stratus 1000, coloque FCQ en el tanque y siga los pasos 1-5 del procedimiento de limpieza. *No vuelva a recargar el tanque con líquido de humo si va a almacenar el equipo.* Limpiar el sistema antes de almacenarlo, ayudar a prevenir la condensación de partículas en el interior de la bomba y el calentador.

*Se recomienda llevar a cabo una prueba de funcionamiento una vez al mes para lograr el mejor desempeño de su Stratus 1000.*

## 7. RESOLUCIÓN DE PROBLEMAS

Problema	Posible causa	Resolución
Se interrumpe la/No hay emisión de humo.	Obstrucción o aire en la tubería del líquido.	Verifique que haya líquido en el tanque.
		Encienda la unidad a 45° para disipar la burbuja y que el líquido fluya correctamente.
	Líquido incorrecto.	Apague la unidad por 5 segundos y vuelva a encenderla. Repita todas las veces que sea necesario. <b>Observación:</b> Luego de 10 intentos, contacte al servicio técnico.
		Utilice FCQ de AMPRO para la limpieza. Para más información, lea las indicaciones de Limpieza y Mantenimiento. Coloque el líquido de humo recomendado por AMPRO.
No hay emisión de humo o la máquina arroja líquido.	Líquido incorrecto.	Utilice FCQ de AMPRO para la limpieza. Para más información, lea las indicaciones de Limpieza y Mantenimiento. Coloque el líquido de humo recomendado por AMPRO.
	Conductos obstruidos.	Contacte al servicio técnico.
	Piezas defectuosas.	Contacte al servicio técnico.
El fusible se quema constantemente.	Carga excesiva en el circuito.	Compruebe que el total de la carga no exceda el 80% de la corriente nominal del fusible o disyuntor.
	Cortocircuito en la red eléctrica.	Verifique el estado de los cables y de la red eléctrica.
La unidad no se enciende.	Falla en la toma de corriente.	Verifique el estado de la toma de corriente. Utilice otra toma de corriente.
	Cable defectuoso o suelto.	Verifique el estado del cable.
	Fusible quemado.	Reemplace el fusible por uno del mismo tipo y rango.
	Problema interno.	Contacte al servicio técnico.
La unidad emite ruidos extraños/funciona erráticamente.	Falta o nivel bajo de líquido.	Cargue líquido de humo en el tanque.

*Si no encuentra la solución en esta sección, no intente reparar la unidad por sus medios. Póngase en contacto con el servicio técnico autorizado.*

---

**Observación: El proveedor no asumirá responsabilidad por los errores u omisiones del manual. La información de este manual está sujeta a cambios sin previo aviso.**



**FOR MORE INFO ON THIS PRODUCT PLEASE CHECK [WWW.TEC-SHOW.COM](http://WWW.TEC-SHOW.COM) /**

*PARA MAS INFORMACION SOBRE ESTE PRODUCTO VISITE [WWW.TEC-SHOW.COM](http://WWW.TEC-SHOW.COM)*



[facebook.com/amprogroup](https://facebook.com/amprogroup)



[youtube.com/amprogroup](https://youtube.com/amprogroup)