

STEAM 1500 RGBA

PROFESSIONAL FOG MACHINE WITH RGBA EFFECT



USER MANUAL / MANUAL DE USUARIO

PLEASE READ THE INSTRUCTIONS CAREFULLY BEFORE USE
POR FAVOR LEA LAS INSTRUCCIONES ANTES DE USAR



1. OVERVIEW

STEAM 1500 RGBA

Professional fog machine with RGBA effect

Steam 1500 RGBA is a professional 2-in-1 fog machine that has 28 RGBA 3W LEDs, adding an attractive visual effect to its original function. Thanks to the incorporation of amber LEDs to the classical RGB mix, the fixture achieves a very complete and attractive color mix, standing out naturally in any given situation. With an output of 40,000 cubic feet per minute and a 2L (67 Oz.) tank capacity, Steam 1500 RGBA is itself a high performance fog machine, beyond its attractive visual effect. The fixture has 6 DMX modes (9 DMX channels max) and includes a wireless remote control that allows four different programs to be run at a distance.

Source & Optics

- Light source: 28 RGBA (8R, 7G, 9B, 4A) 3W LEDs
- LEDs life: 50,000 hours

Output

- Smoke output: 40,000 cubic feet per minute
- Warm up time: 9 minutes
- Tank: 2 lts./ 67 Oz.
- Liquid consumption: 150 ml/min / 5 oz/min

Control

- Operational modes: DMX, Wireless remote control, LED patterns & manual
- DMX channels: 1/2/3/5/7/9

Physical

- DMX connectors: 2 XLR connectors (XLR-3 In & Out)
- Remote control connector: 1 TRS/1/4" connector
- 4-digit LED display
- Dimensions: 458x307x207 mm. / 18x12x8.1 in.
- Weight: 10.7 Kg. / 23.5 Lbs.

2. WARNING

Like all electronic products, Steam 1500 RGB must be used with safety precautions in mind. Fill enough fog fluid before plugging in, empty fluid tank when not in use or moving.

- Use only appropriate, grounded electric power supply for your unit. See your product specification label for appropriate power supply. This appliance must be earthed.
- Disconnect from electric mains power supply when not in use, when filling the fog fluid tank, or when changing a fuse. Keep unit dry. If moisture or liquids enter the fog machine case, immediately disconnect power supply. Contact a service technician to determine safety for use.
- Keep machine in flat position, never put it in tilted place.
- Before moving fog machine, always drain fog fluid into the tank and tighten the tank cap securely to avoid spilling.
- Thank you for selecting our Steam 1500 RGB DMX fog machine, you already own the high-tech, professional DMX Fogs! Better read the manual thoroughly before operation, follow instruction will help you have a smooth handling with Steam 1500 RGB to achieve the most satisfactory fog effect, it will also assist unit to further prolong life time as a whole.
- Without user-serviceable parts in the package, please contact your local agent or qualified technician for servicing.
- Without changeable structure by non-qualified user, please do not open the up cover or have any change at will, otherwise, it may cause accident!
- Fog machine is for adult use. Keep out of reach of children. Never leave the unit running unattended.
- Fog machine nozzle gets hot over 200 degrees (centigrade) during use. Don't touch! Maintain a

safe distance over 100CM. Never aim the nozzle directly at people.

- Keep case closed while operating. Put fog machine in drafty place. Do not insert objects into air vents. Allow 20cm space or above around the machine for proper ventilation.
- Keep fog machine away from flames and flammable items. Never aim the nozzle at open flames or sparks. Use only high quality water-based fog fluid. Never put flammable substances into the tank.
- Machine must cool down before cleaning, servicing or storing.
- Never put any flammable material (lipid, gas, perfume etc.) into the tank, read the user manual thoroughly before operation.
- Better use our high quality water-based fog fluid, random use with other fog fluid may jam the pipe, or even erode the components inside.
- Keep sufficient fog fluid in tank. Operating the unit without sufficient fog fluid, the pump will stop working.
- If any abnormal running occurs, stop it immediately, empty the fluid, and bring the done up unit (recommend original box) to your agent or dealer for servicing. Make sure all fluid is empty from the tank before moving or shipping.
- Never drink fog fluid. If ingested, call a doctor immediately. If fluid contacts eyes or skin, rinse skin thoroughly with water.
- Read user manual instructions thoroughly before operating. Follow the instruction. Never remove warning or informative labels from the unit.

Important Safeguards

- Read all instruction.
- Products for indoor use only. Keep away from liquids. Never operate in rain or in damp conditions.
- Unit must be grounded.

- Don not open unit, risk of electric shock.
- Keep machine in flat position, never put it in tilted place.
- Do not immerse in any liquid.
- Save these instructions.

Caution

There are no user serviceable parts inside this unit. Do not attempt any repairs yourself, doing so will void your manufactures warranty. In the unlikely event your unit may require service please contact your local dealer.

Particular Warning

Please install the product correctly according to the instruction of the user manual. To avoid any accident, it is not allowed to install the product with any way not instructed on the user manual. If accident happens because users do not install the product according to the instruction of the user manual, the manufacturer will not take any responsibility.

Please note

Specifications and improvements in the design of this unit and this manual are subject to change without any prior written notice.

Important

The wires in this mains lead are colored in accordance with the following code.

EU

Green and Yellow – Earthed (E)

Blue – Neutral (N)

Brown – Live (L)

Warning: This appliance must be earthed.

USA

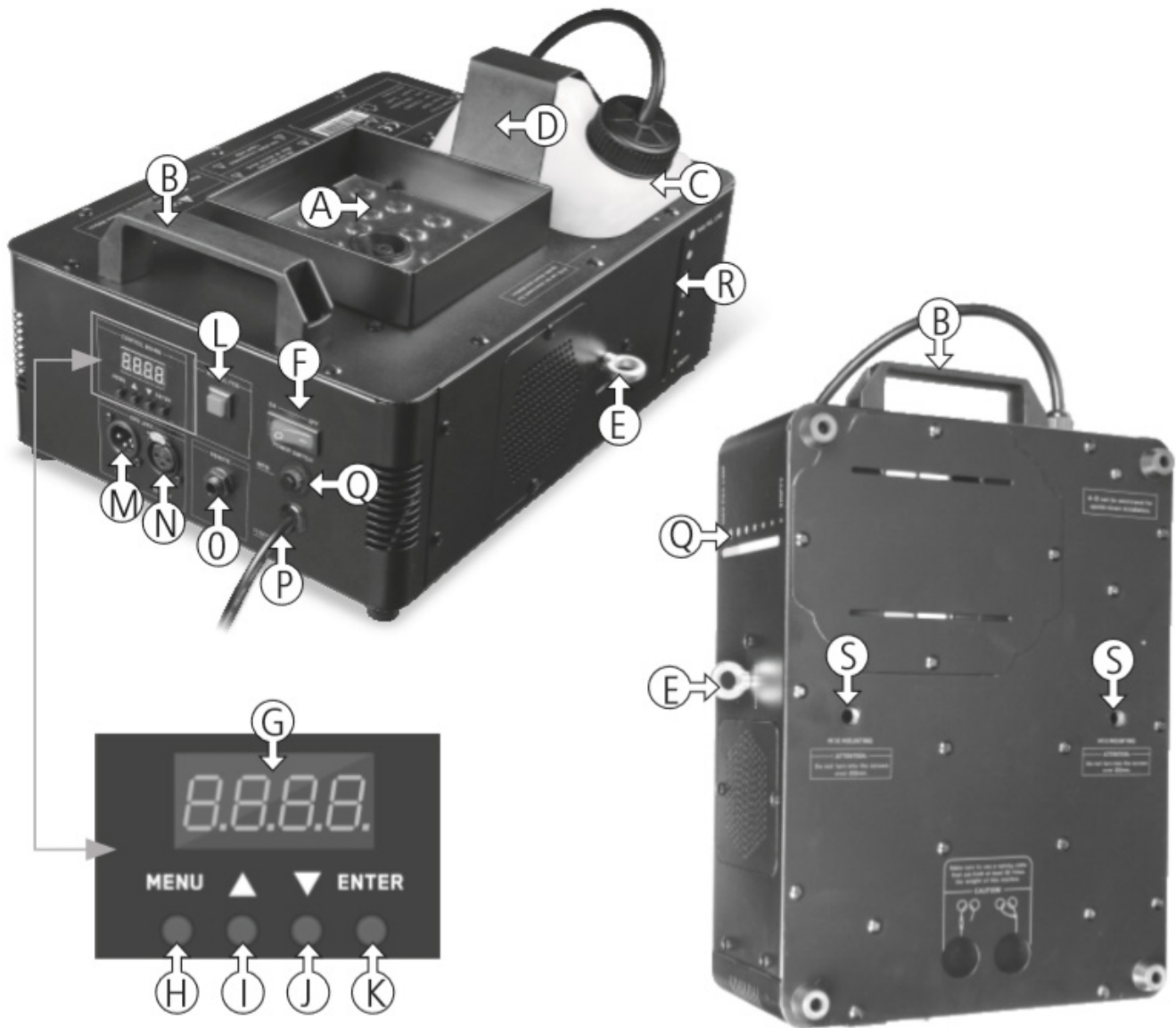
Green and Yellow – Earthed (E)

White – Neutral (N)

Black – Live (L)

Warning: This appliance must be earthed.

3. FUNCTIONS



- A. 26 LEDs
- B. Handle
- C. Fog Fluid Tank
- D. Tank Fixed Cover
- E. Safety Loop
- F. Power Switch
- G. LED display
- H. Menu
- I. Up
- J. Down
- K. Enter
- L. Manual Fog
- M. DMX 3 pin XLR Input
- N. DMX 3 pin XLR Output
- O. Control Socket Connection
- P. Electric Power Cord
- Q. NFB
- R. Visible Fog Fluid Level Indicator
- S. M10*P1.5 C Clamp Installation

Description

1. Built-in function of led lighting control allows easy control led patterns through by LED display. Like flames, burst etc. LED could be turn on separately without fog output under DMX operation mode.
2. When hanging Steam 1500 RGB upside down, just loosen the screws of the tank fixed ring and back board to change the position of the tank.
3. Visible fog fluid level indicator on rear.
4. Special instant stopping function, CO2 effect alike.
5. DMX on board, 6 DMX modes for choice; 1CH, 2CH, 3CH, 5CH, 7CH & 9CH, operate by any additional DMX controller.
6. Manual fogging can be operated directly from the back panel of the machine.
7. Aluminum die-cast design functioned with high-effective heating module prevents clogging. Unique design that can be earthed directly without affecting normal working of the thermo system and DMX control circuit. There won't be danger of accidental human body's electric shock.
8. High output fog machine, approx. 40,000 cu.ft/ min output.
9. Electronic Thermo Sensing (ETS) – electronic heater stay hot at all times between fog blasts.
10. Direct thermal protection.
11. Operate by wireless controller (DZ-2). Simple and humanized design makes Steam 1500 RGB easier for use.

4. GETTING READY

All products are thoroughly tested at the factory and shipped in perfect condition. If damage has occurred during shipping, or if components are missing, please contact your local dealer immediately.

Mouting

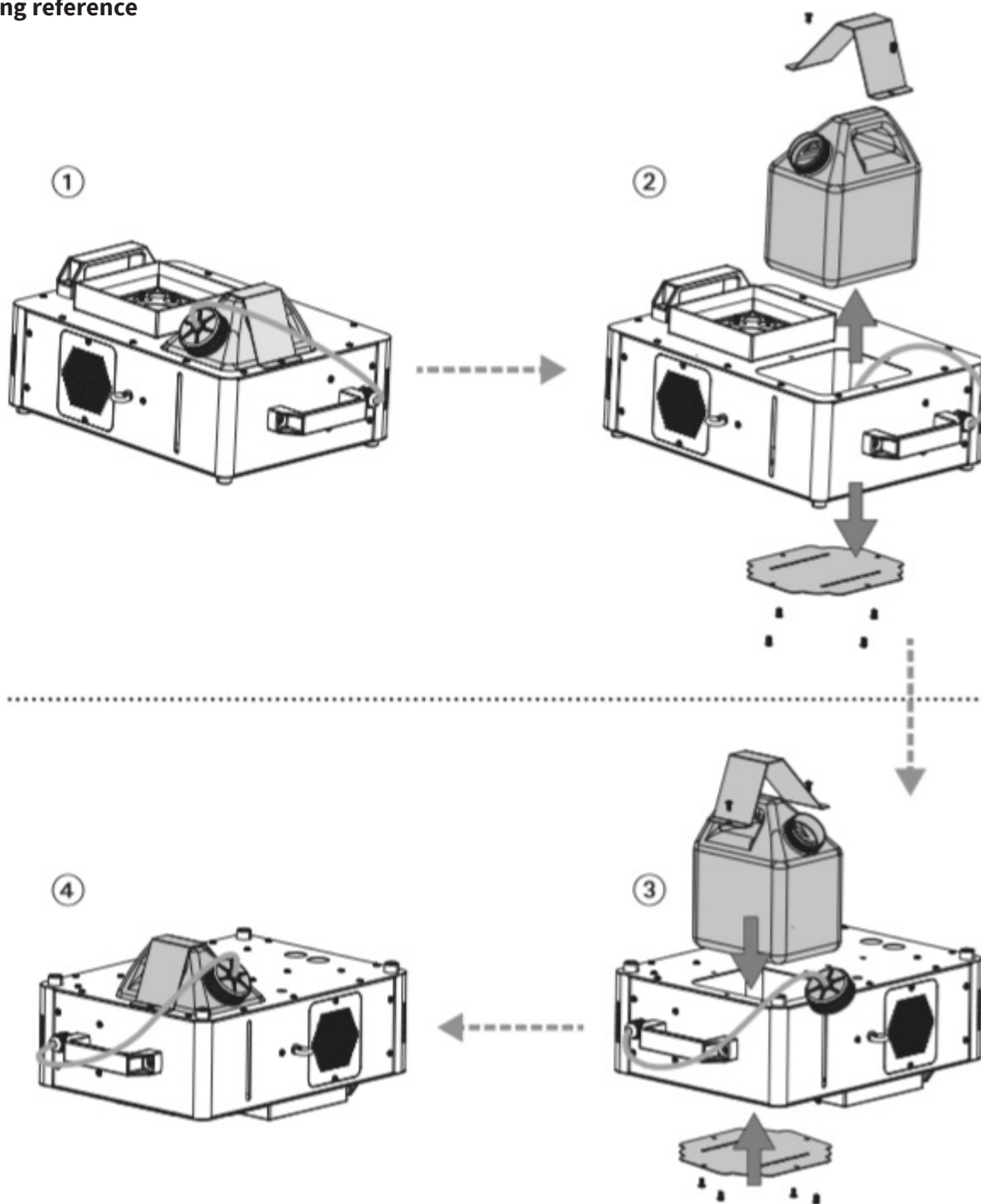
Loosen the few screws of the tank fixed cover, replace the tank down to the bottom, then put the tank fix cover to the tank again, and tighten the screws. **See Illustration next page.**

Set Up

1. Open the shipping carton and carefully remove the unit from the shipping carton.
2. Be sure to remove packing material from around the fog machine, especially near the nozzle.
3. Set the fog machine on a dry, flat surface.
4. Place the feeder tube with filter deep inside the full fog fluid tank. Use only high quality, wa-

- ter-based fog fluid.
5. Firmly attach the remote control mechanism to socket on the back of the unit. Or use DMX control setting on the back of the unit.
6. Plug mains power cord from the fog machine into appropriate power supply socket. Wait about 9 minutes for heating element to heat up.
7. Refer to your controller manual for operation details. (Appendix A)
8. If fog is emitted continuously for a long time, the heating element temperature may drop, shutting off fog production. If so, please do not activate for emission. Wait briefly. When the heating element temperature rises, fog emissions can be resumed.

Mounting reference



Functions of the buttons



MENU: Button for color macro setting of each channel, and DMX address setting.

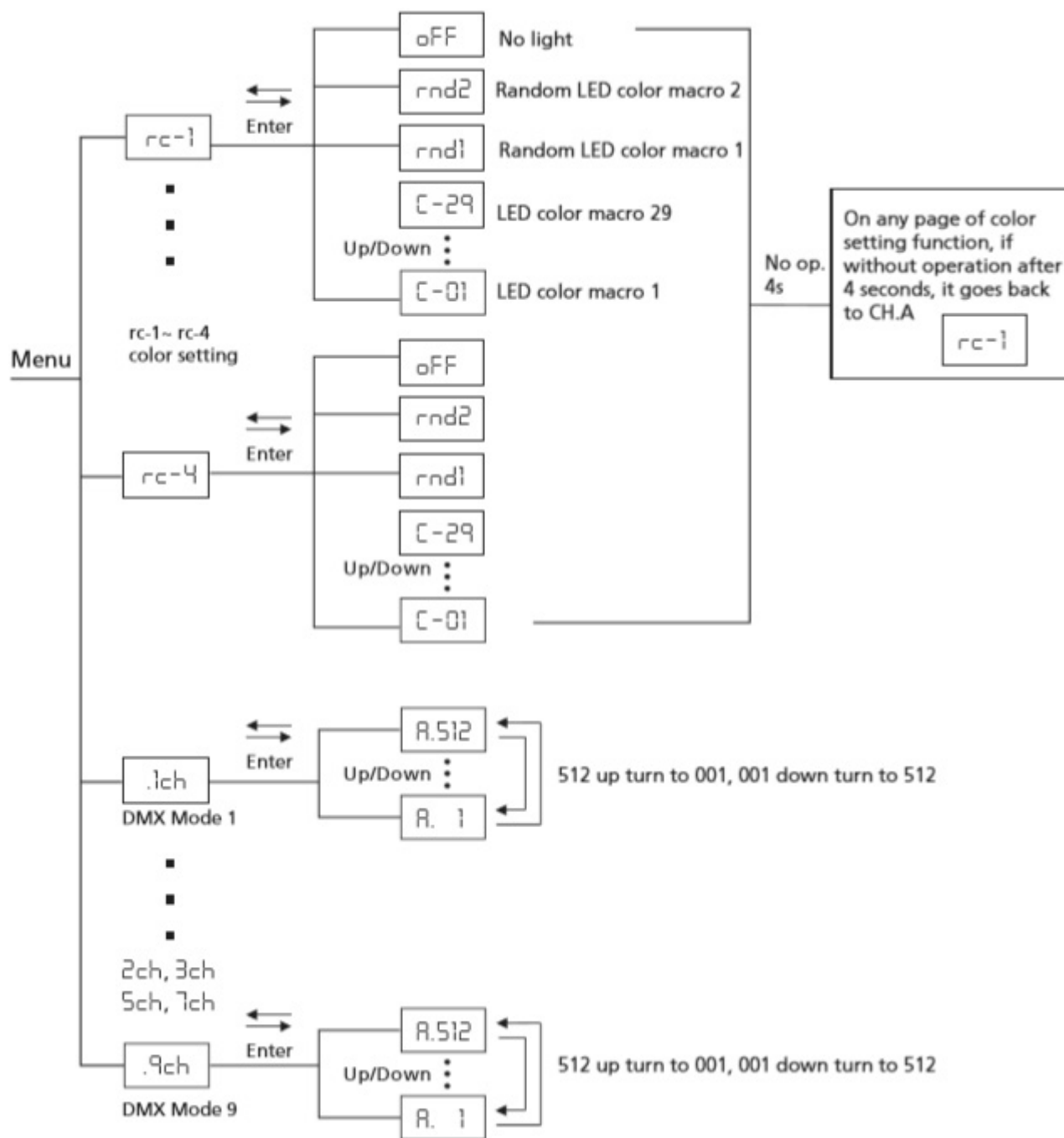
ENTER: Button for the first layer and the second layer of menu.

UP: Button for increasing numerical value

DOWN: Button for decreasing numerical value.

Press "UP" or "Down" 15 seconds can change value continuously and fast.

System Menu



- When shot down, the present function status will be saved automatically and continue when powered on next time.

5. OPERATION

Stand-alone

Please put the Steam 1500 RGB on a dry and flat surface.

1. Plug mains power cord from the fog machine into appropriate power supply socket.
 2. Primary power on, LED display (G of figure) shows “8888”, and 26 LEDs (A of figure) around the nozzle all light up. Please check if the LED letters shown on the display lack of strips, and then show the current software version.
 3. 2 seconds after it switches to working status: Heating up, it shows “HEAt”. Setting function value is allowed when heating up. With no operation after 4 seconds, it goes back to “HEAt” status.
 4. Wait about 9 minutes for heating element to heat up.
 5. Push the Manual Fog button (L of figure) to smoke.
- **Manual fogging is available under any control mode and always executing the Color Macro of CHA.**

Remote Control Operation

For best result, use DZ-2 wireless controller.

1. Firmly attach the remote control to socket (O of figure) on the back of the unit.
2. Plug mains power cord from the fog machine into appropriate power supply socket.
3. LED display (G of figure) shows “8888”, and 26 LEDs (A of figure) around the nozzle all light up. Please check if the LED letters shown on the display lack of strips, and then show the current software version.
4. 2 seconds after it switches to working status: Heating up, it shows “HEAt”. Setting function

value is allowed when heating up. With no operation after 4 seconds, it goes back to “HEAt” status.

5. Wait about 9 minutes for heating element to heat up.
 6. Except “dx” and “A.xxx”, under any other status, wireless control is available while DMX control is not available.
 7. Refer to your controller manual for controller operation details. (Appendix A)
- **Manual fogging could be work with remote control operation at the same time.**
 - **When shot down, the present function status will be saved automatically and continue when powered on next time.**

Important Remark

When the green LED on the controller lights up, it does not mean that the machine has got completely heated, but just means that the machine reaches an enough temperature for fogging.

Check the red dot in the middle of CH.A (or others like CH.b etc.) on the LED display to know whether the machine has completed heating up or not. If the red dot is flashing, heating is not completed yet, and duration of fogging is only 1-3 seconds. If the red dot is lighted and does not flash, heating is completed, and duration of each fogging can reach 8-9 seconds.

DMX Control Operation

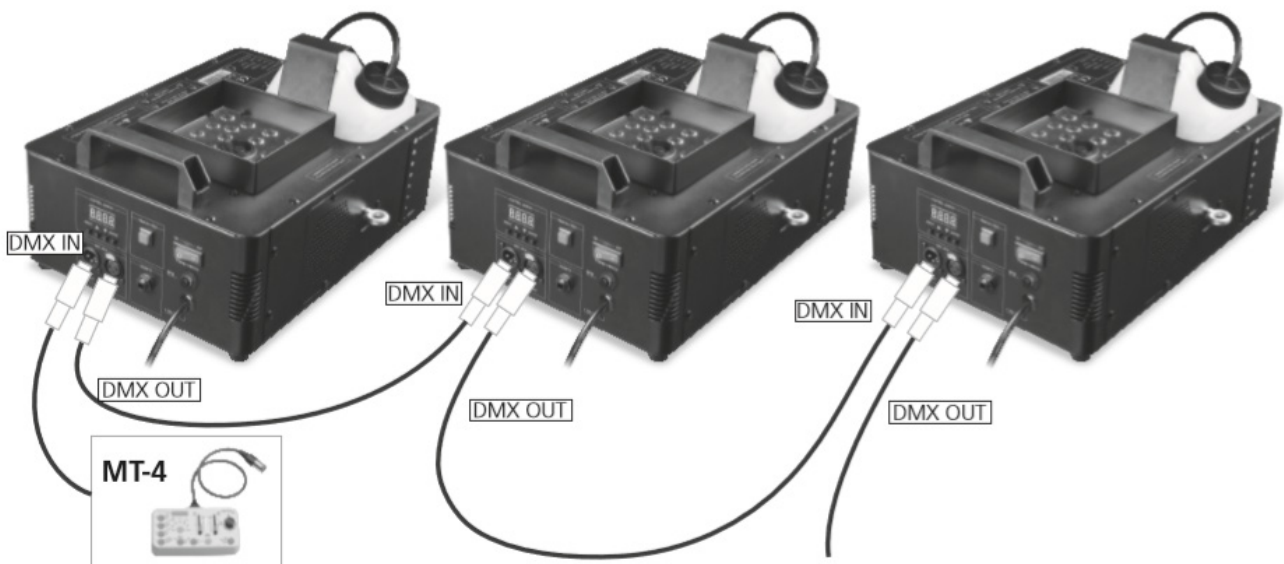
Use LED Display to set the unit to the desired DMX512 address. Refer to DMX channel in chart.

1. Connect the DMX 512 controller cable to the input socket (M of figure) of the fog machine unit. Make sure the signal cable polarity is correct.
2. Plug mains power cord from the fog machine

- into appropriate power supply socket.
3. LED display (G of figure) shows “8888”, and 26 LEDs (A of figure) around the nozzle all light up. Please check if the LED letters shown on the display lack of strips, and then show the current software version.
 4. 2 seconds after it switches to working status: Heating up, it shows “HEAt”. Setting function value is allowed when heating up. With no operation after 4 seconds, it goes back to “HEAt” status.
 5. Wait about 9 minutes for heating element to heat up.
 6. There are 6 DMX modes for choice; 1CH, 2CH, 3CH, 5CH, 7CH, & 9CH please choose the mode by menu: It shows”d1” to “d9”.
 7. When completed heating, it shows control mode: It shows “.dx” or “A.xxx”, please set the unit to the desired DMX 512 address, and DMX control available, wireless control not available. Your Steam 1500 RGB is now ready for operation with your DMX controller.

8. If desired, connect another fog machine: Plug one end of another signal cable in to the output socket (N of figure) on the back of the first Steam 1500 RGB; plug the other end of the signal cable to the input socket on the back of the second Steam 1500 RGB. Follow the same procedure to link more fog machine, if desired; whole link is daisy chain.

- **Manual fogging could be work with DMX control operation at the same time.**
- **When shot down, the present function status will be saved automatically and continue when Powered on next time.**
- **If the red dot before the letters (.dx or A.xxx) on the display is flashing, heating is not completed yet, and duration of fogging is only 1-3 seconds. If the red dot is lighted and does not flash, heating is completed, and duration of each fogging can reach 8-9 seconds.**



6. DMX CHART

1 Ch mode

CH1
FOG & CH.A COLOR MACRO
32-255 = MAX FOG, Random Color Chang
0-31=OFF

2 Ch mode

CH1	CH2
FOG	COLOR MACROS
32-255 = MAX FOG	Color Macro 1~29
0-31=OFF	(please see figure 3 - color macro list)

3 Ch mode

CH1	CH2	CH3
FOG	COLOR MACROS	STROBE
32-255 = MAX FOG	Color Macro 1~29 (please see figure 3 - color macro list)	160-255 Random Strobe (Slow>Fast)
0-31=OFF		96-159 Pulse-Effect in sequence
		32-95 Strobe Effect (Slow > Fast)
		0-31 Strobe Off

5 Ch mode

CH1	CH2	CH3	CH4	CH5
FOG	RED	GREEN	BLUE	AMBER
32-255 MAX FOG	1-255 MIN to MAX	1-255 MIN to MAX	1-255 MIN to MAX	1-255 MIN to MAX
0-31=OFF	0=OFF	0=OFF	0=OFF	0=OFF

7 Ch mode

CH1	CH2	CH3	CH4	CH5	CH6	CH7
FOG	RED	GREEN	BLUE	AMBER	STROBE	MASTER DIMMER
32-255 MAX FOG	1-255 MIN to MAX	1-255 MIN to MAX	1-255 MIN to MAX	1-255 MIN to MAX	160-255 Random Strobe (Slow>Fast)	1-255 MIN to MAX

0-31=OFF	0=OFF	0=OFF	0=OFF	0=OFF	96-159 Pulse-Effect in sequence	0=OFF
					32-95 Strobe Effect (Slow > Fast)	
					0-31 Strobe Off	

9 Ch mode

CH1	CH2	CH3	CH4	CH5	CH6	CH7	CH8	CH9
FOG	RED1	GREEN1	BLUE1	AMBER	RED2	GREEN2	BLUE2	MASTER DIMMER
32-255 Max Fog	1-255 MIN to MAX	1-255 MIN to MAX	1-255 MIN to MAX	1-255 MIN to MAX	1-255 MIN to MAX	1-255 MIN to MAX	1-255 MIN to MAX	1-255 MIN to MAX
0-31=OFF	0=OFF	0=OFF	0=OFF	0=OFF	0=OFF	0=OFF	0=OFF	0=OFF

7. COLOR MACRO LIST

Value	Color	Value	Color
0-7	OFF	128-135	Red_1 = 185 Red_2 = 100 Green_1 = 55 Green_2 = 70 Blue_1 = 233 Blue_2 = 167 Amber = 0
8-15	Red_1 = 255 Red_2 = 0 Green_1 = 0 Green_2 = 0 Blue_1 = 0 Blue_2 = 0 Amber = 0	136-143	Red_1 = 63 Red_2 = 25 Green_1 = 69 Green_2 = 32 Blue_1 = 18 Blue_2 = 177 Amber = 255
16-23	Red_1 = 0 Red_2 = 0 Green_1 = 255 Green_2 = 0 Blue_1 = 0 Blue_2 = 0 Amber = 0	144-151	Red_1 = 0 Red_2 = 0 Green_1 = 254 Green_2 = 125 Blue_1 = 0 Blue_2 = 125 Amber = 33
24-31	Red_1 = 0 Red_2 = 0 Green_1 = 0 Green_2 = 0 Blue_1 = 255 Blue_2 = 0 Amber = 0	152-159	Red_1 = 0 Red_2 = 0 Green_1 = 200 Green_2 = 200 Blue_1 = 200 Blue_2 = 139 Amber = 0

32-39	Red_1 = 0 Red_2 = 0 Green_1 = 0 Green_2 = 0 Blue_1 = 0 Blue_2 = 0 Amber = 255	160-167	Red_1 = 45 Red_2 = 122 Green_1 = 0 Green_2 = 0 Blue_1 = 156 Blue_2 = 77 Amber = 0
40-47	Red_1 = 0 Red_2 = 0 Green_1 = 255 Green_2 = 0 Blue_1 = 0 Blue_2 = 255 Amber = 0	168-175	Red_1 = 200 Red_2 = 177 Green_1 = 0 Green_2 = 0 Blue_1 = 235 Blue_2 = 220 Amber = 0
48-55	Red_1 = 255 Red_2 = 0 Green_1 = 0 Green_2 = 0 Blue_1 = 0 Blue_2 = 255 Amber = 0	176-183	Red_1 = 80 Red_2 = 55 Green_1 = 178 Green_2 = 55 Blue_1 = 44 Blue_2 = 166 Amber = 255
56-63	Red_1 = 255 Red_2 = 0 Green_1 = 0 Green_2 = 0 Blue_1 = 0 Blue_2 = 0 Amber = 255	184-191	Red_1 = 130 Red_2 = 75 Green_1 = 222 Green_2 = 170 Blue_1 = 28 Blue_2 = 195 Amber = 111
64-71	Red_1 = 255 Red_2 = 0 Green_1 = 0 Green_2 = 255 Blue_1 = 0 Blue_2 = 0 Amber = 0	192-199	Red_1 = 0 Red_2 = 88 Green_1 = 142 Green_2 = 48 Blue_1 = 0 Blue_2 = 200 Amber = 200
72-79	Red_1 = 0 Red_2 = 0 Green_1 = 0 Green_2 = 0 Blue_1 = 255 Blue_2 = 0 Amber = 255	200-207	Red_1 = 255 Red_2 = 255 Green_1 = 0 Green_2 = 0 Blue_1 = 0 Blue_2 = 0 Amber = 0
80-87	Red_1 = 0 Red_2 = 255 Green_1 = 255 Green_2 = 0 Blue_1 = 0 Blue_2 = 0 Amber = 0	208-215	Red_1 = 0 Red_2 = 0 Green_1 = 255 Green_2 = 255 Blue_1 = 0 Blue_2 = 0 Amber = 0
88-95	Red_1 = 128 Red_2 = 77 Green_1 = 100 Green_2 = 0 Blue_1 = 50 Blue_2 = 165 Amber = 0	216-223	Red_1 = 0 Red_2 = 0 Green_1 = 0 Green_2 = 0 Blue_1 = 255 Blue_2 = 255 Amber = 0
96-103	Red_1 = 77 Red_2 = 77 Green_1 = 210 Green_2 = 0 Blue_1 = 56 Blue_2 = 0 Amber = 234	224-231	Red_1 = 0 Red_2 = 0 Green_1 = 0 Green_2 = 0 Blue_1 = 0 Blue_2 = 0 Amber = 255
104-111	Red_1 = 82 Red_2 = 134 Green_1 = 0 Green_2 = 0 Blue_1 = 99 Blue_2 = 222 Amber = 50	232-239	Red_1 = 255 Red_2 = 255 Green_1 = 255 Green_2 = 255 Blue_1 = 255 Blue_2 = 255 Amber = 255

112-119	Red_1 = 0 Red_2 = 210 Green_1 = 79 Green_2 = 50 Blue_1 = 0 Blue_2 = 50 Amber = 220	240-247	Random_1
120-127	Red_1 = 63 Red_2 = 145 Green_1 = 75 Green_2 = 166 Blue_1 = 0 Blue_2 = 100 Amber = 44	248-255	Random_2

8. TROUBLESHOOTING

This troubleshooting guide is meant to help solve simple problems. If a problem occurs, carry out the steps below in sequence until a solution is found. Once the unit operates properly, do not carry out following steps. If the problem persists, refer servicing to a qualified technician.

Power Connected but No Fog Is Emitted

1. Check the power supply. Plug the unit into grounded electric power supply socket with proper voltage.
2. Check your controller if in correct connection, test the battery if power enough for wireless controller.
3. Check your DMX address setting.
4. Disconnect fog machine from electric power supply. Replace fuse with one of the same type.

Other Abnormal Situations that Could Make Heater & Pump Stop Working

- Flashing and showing "Erro" means heater is too hot or thermos sensor is cut.

9. MAINTENANCE

Before doing maintenance, please make sure that the power is cut, the power cord is unplugged, and the machine itself has cooled down. The maintenance must be done by qualified person.

- The fog liquid is not allowed to get dirty. Be sure to always clean or replace the caps on the fog liquid vessel and tight the cover of the fog machine liquid tank immediately after filling.
- Periodically check the connections among the oil tube, the pump and the heater to see if there's oil leaking. If positive, lock tight the connections carefully with proper tool.
- PC board should be kept from being dirtied with oil. In case this happened, dismantle carefully the PCB, and have it brushed clean both sides with dilute alcohol. Leave it dry itself, then install it back. Make sure all wires are well connected.
- Clean the metal cover with dry cloth.

APPENDIX - A DZ-2

1. 1/4" stereo jack
2. Button
3. Green LED (fog)
4. Red LED (power)



Wireless Remote Control Operation

The Steam 1500 RGB is designed with wireless remote controller. Workable remote distance possibly extends to 30 meters. Detail operation as follows;

A. Four-channel wireless remote control transmitter: Key A, B, C, D respectively “CH.A, CH.b, CH.c, CH.d”. Each channel can be individually set its Color Marco (see “SYSTEM MENU” instruction) by menu of the machine. Send smoke signals when the button is pressed, release the button to stop smoke.

B. Receiver:

- Red LED: Power indication. Once the fog machine is plugged, the red LED on this receiver of remote controller will light up. Unplug the

power, the red LED off.

- Green LED: Status indication.
 1. Warm-up, the green LED goes out.
 2. Warm-up is completed, the green LED light up.
- **In the warm-up is completed, the green LED light up period, if the receiver receives a valid signal emitted by the transmitter, the green LED off. If the transmitter stop signal, then restore the green LED lights while stopped puffing smoke.**
- **The fog machine is off emission for about 9 minutes during warm-up and re-heating cycles (about 80 seconds), and turns on when the temperature reached again.**

Important Remark

When the green LED on the controller lights up, it

does not mean that the machine has got completely heated, but just means that the machine reaches an enough temperature for fogging. Check the red dot in the middle of CH.A (or others like CH.b etc.) on the LED display to know whether the machine has completed heating up or not. If the red dot is flashing, heating is not completed yet, and duration of fogging is only 1-3 seconds. If the red dot is lighted and does not flash, heating is completed, and duration of each fogging can reach 8-9 seconds.

Specification of Compatible Controllers

Model	DZ-2
Effective Distance (open space, no barrier)	Up to 30 m
Connector	1/4" stereo jack
Function	Control 4 color macros
Dimension (LxWxH)	Receiver 91×58×29mm with 600mm cable (stereo jack included). Transmitter 63×39×14mm
Weight	Receiver 85g / Transmitter 31g

Design and product specifications are subject to change without prior notice.

1. DESCRIPCIÓN

STEAM 1500 RGBA

Máquina de humo profesional con efecto RGBA

Steam 1500 RGBA es una máquina de humo profesional 2-en-1 que cuenta con 28 LEDs RGBA de 3W, agregándole un atrayente efecto visual a su función original. Gracias a la incorporación de LEDs ámbar a la clásica mezcla RGB, el equipo logra una mezcla de color muy completa y atractiva. Con una salida de 40.000 pies cúbicos por minuto y un tanque con una capacidad de 2 litros, Steam 1500 RGBA es una máquina de humo de gran caudal y desempeño que está diseñada para ser instalada. El equipo trabaja en hasta 9 canales DMX e incluye, por último, un control remoto inalámbrico que permite ejecutar a la distancia cuatro programas diferentes.

Fuente & Ópticas

- Fuente de luz: 28 LEDs RGBA (8R, 7G, 9B & 4A) de 3W
- Vida útil promedio: 50.000 horas

Salida

- Salida: 40.000 pies cúbicos por minuto
- Tiempo de calentamiento: 9 minutos
- Tanque: 2 lts. / 67 Oz.
- Consumo de líquido: 150 ml/min / 5 oz/min

Control

- 29 macros de color
- Modos de operación: DMX, control remoto inalámbrico (incluido), patrones LED & manual
- Canales DMX: 1/2/3/5/7/9

Físico

- Conectores DMX: 2 conectores XLR (XLR-3 de entrada & salida)
- Conector control remoto: 1 conector TRS 1/4"
- Display LED de 4-dígitos
- Dimensiones: 458x307x207 mm. / 18x12x8,1 pulg.
- Peso: 10,7 Kg. / 23,5 Lbs.

2. ADVERTENCIA

Como con cualquier dispositivo electrónico, tome todas las precauciones necesarias para utilizar su Steam 1500 RGBA. Antes de conectar el equipo, procure llenar el tanque con la cantidad de líquido necesario. Vacíe el tanque durante los periodos de inactividad.

- Utilice únicamente conexiones con toma a tierra para suministrar corriente a la unidad. Para obtener más información sobre la fuente de alimentación, refiérase a las especificaciones técnicas de la unidad. Este producto debe conectarse a una toma a tierra.
- Desconecte la unidad del suministro eléctrico cuando esté en desuso, cambie el fusible o cargue el tanque. Mantenga la unidad seca y limpia. En caso de que haya ingresado líquido en el producto, desconéctelo de inmediato. Póngase en contacto con el servicio técnico autorizado de inmediato.
- Utilice el producto sobre una superficie plana sin inclinaciones.
- Procure vaciar el tanque y asegurar el tapón del tanque antes de transportar la unidad.
- El equipo no contiene piezas que puedan ser reparadas por el usuario. En caso de precisar asistencia, póngase en contacto con el servicio técnico autorizado.
- Por su seguridad, está prohibida la introducción de modificaciones no autorizadas en el equipo.
- Mantenga el producto fuera del alcance de niños y usuarios inexpertos. No deje la unidad en funcionamiento y sin supervisión.
- La boquilla de la unidad alcanza una temperatura de 200°C durante su funcionamiento. ¡No la toque! Instale el equipo a una distancia mínima de 100 cm de otros objetos o personas. No apunte la salida de humo directamente hacia las personas.
- Mantenga la cubierta cerrada durante el funcionamiento de la unidad. Instale la unidad en un ambiente bien ventilado y con circulación de aire. Evite introducir objetos en las ranuras de ventilación. Mantenga una distancia mínima de 20 cm entre la unidad y la pared o el techo para garantizar una correcta ventilación.
- Mantenga la unidad alejada de objetos inflamables y llamas expuestas. No apunte la salida de humo hacia llamas o chispas. Utilice únicamente líquido para humo de primera calidad y a base de agua. Nunca introduzca líquidos combustibles en el tanque de la unidad.
- Permita que la unidad se enfríe antes de realizar cualquier tarea de mantenimiento.
- Utilice únicamente el líquido de humo a base de agua recomendado por Ampro. Cualquier otro tipo de líquido puede generar obstrucción y oxidación de los componentes.
- Verifique que la unidad cuente con suficiente líquido de humo en el tanque. Poner la unidad en marcha sin líquido puede dañar el motor y el calentador.
- Desconecte el equipo de inmediato si observa un funcionamiento anómalo. Escurra todo el líquido del tanque, coloque la unidad en su embalaje original y llévelo a su distribuidor para que lo revise. Procure vaciar el tanque antes de transportar la unidad.
- No beba el líquido de humo. En caso de ingerirlo, llame al médico de inmediato. Evite el contacto con los ojos y la piel. En caso de que ocurra, lave con abundante agua.
- Lea atentamente el manual antes de utilizar el equipo. Procure seguir todas las instrucciones y advertencias. No retire las etiquetas informativas o de advertencias de la unidad.

Instrucciones de seguridad

- Lea todas las instrucciones.

- El producto fue diseñado para uso en interiores. Mantenga la unidad lejos de sustancias líquidas. Nunca opera la unidad bajo la lluvia o en ambientes con alto porcentaje de humedad.
- Procure la conexión a tierra de la unidad.
- No abra la unidad. Riesgo de descarga eléctrica.
- Utilice el producto sobre una superficie plana sin inclinaciones.
- No sumerja la unidad en el agua.
- Conserve este manual para futuras referencias.

Precaución

El equipo no contiene piezas que puedan ser reparadas por el usuario. Cualquier intento de reparación invalidará la garantía del fabricante. En caso de precisar asistencia, póngase en contacto con el servicio técnico autorizado.

Advertencia de instalación

Procure seguir las instrucciones del manual para instalar el equipo correctamente. Evite accidentes. No proceda con la instalación si no está familiarizado con las indicaciones del presente manual. La garantía no cubre daños causados por el incumplimiento de las instrucciones del presente manual.

Observación

Las especificaciones, el diseño de la unidad y el manual están sujetos a posibles modificaciones sin previo aviso.

Importante

Código de colores de los cables de alimentación.

UE

Amarillo/verde: Tierra (TT).

Azul: Neutro (N).

Marrón: Fase (L).

Advertencia: Este producto debe conectarse a una toma a tierra.

EE.UU

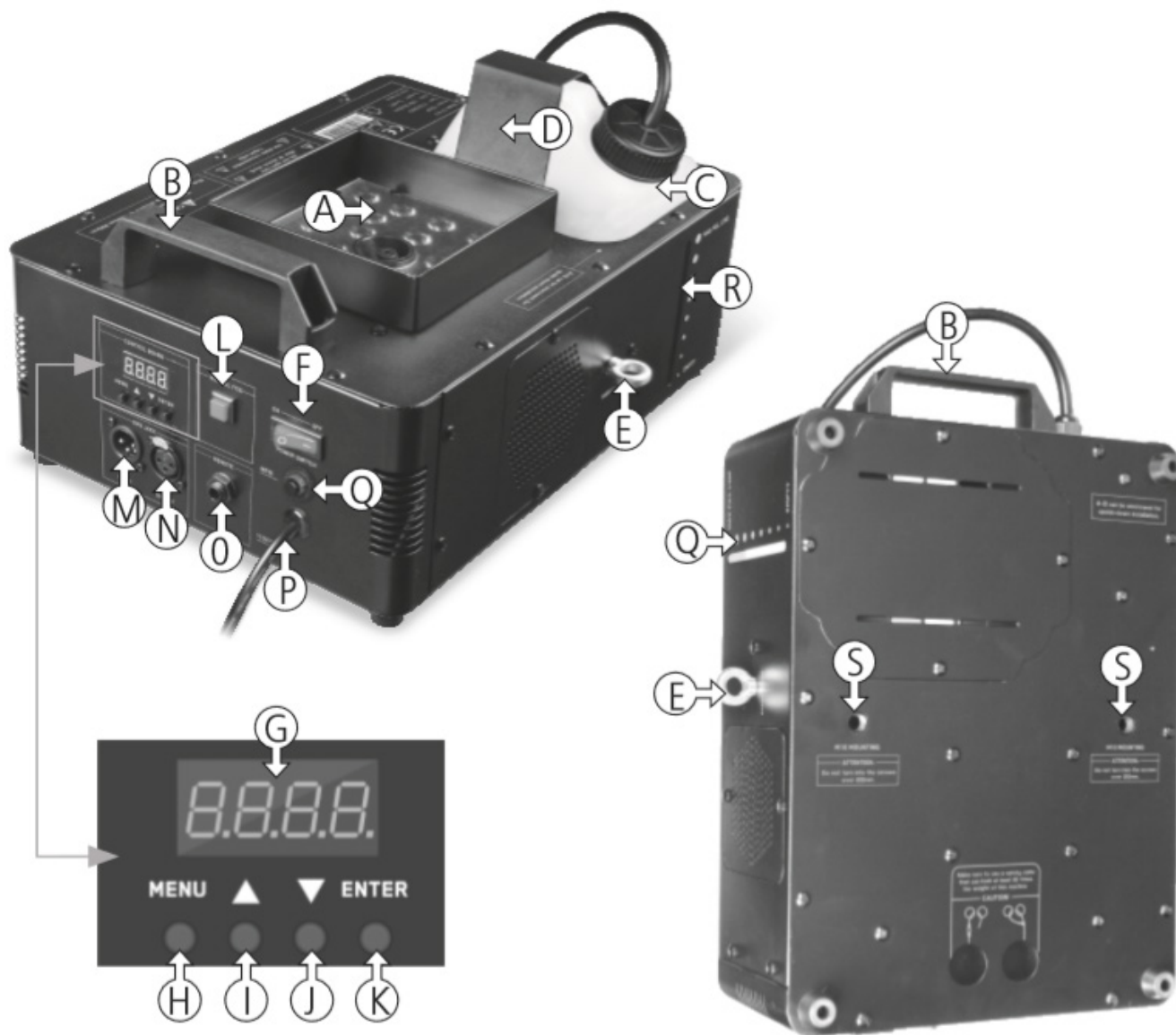
Amarillo/verde: Tierra (TT).

Blanco: Neutro (N).

Negro: Fase (L).

Advertencia: Este producto debe conectarse a una toma a tierra.

3. EL PRODUCTO



- A. 26 LEDs
- B. Asa
- C. Tanque
- D. Cubierta rígida del tanque
- E. Presilla para cable de seguridad
- F. Interruptor de encendido/apagado
- G. Pantalla LED
- H. Menú
- I. Tecla arriba
- J. Tecla abajo
- K. Tecla Enter
- L. Emisión manual
- M. Entrada DMX XLR-3
- N. Salida DMX XLR-3
- O. Conector del control remoto
- P. Cable de entrada de potencia
- Q. Botón NFB (protección contra sobrecarga)
- R. Indicador del nivel de líquido
- S. Orificio para abrazadera M10*P1.5

Características

1. El control de iluminación LED incorporado permite crear patrones de llamas, ráfagas, etc. con facilidad, por medio del panel de control. El usuario puede encender el LED por separado (sin la salida de humo) a través del modo DMX.
2. Antes de colgar su Steam 1500 RGBA boca abajo, desajuste el tanque para ubicarlo en la posición adecuada.
3. Indicador del nivel de líquido en la parte trasera.
4. Función especial de detención inmediata, similar al efecto CO2.
5. Disponibilidad de seis modos DMX: 1, 2, 3, 5, 7 y 9 canales, posibles de utilizar a través de un controlador.
6. El usuario puede activar la emisión de humo manual desde el panel trasero de la unidad.
7. Cubierta de aluminio fundido y calentador de alta eficiencia que previenen obstrucciones. Equipo con conexión a tierra directa sin interrupción de funcionamiento del sistema térmico o del circuito de control DMX. Prevención de descargas eléctricas por error.
8. Salida de humo de aproximadamente 40.000 pies cúbicos por minuto.
9. Detección térmica electrónica: el calentador mantiene la temperatura
10. entre emisiones.
11. Protección térmica directa.
12. Compatible con controlador inalámbrico (DZ-2). Su diseño simple y moderno hacen que Steam 1500 RGBA sea más fácil de usar.

4. ANTES DE COMENZAR

El equipo fue entregado en perfectas condiciones. Revise detenidamente que el producto no se haya dañado durante el envío. En caso de que encuentre daños, pónganse en contacto con el distribuidor.

Montaje

Desajuste los tornillos que sostienen la cubierta rígida del tanque y su base. Gire la unidad y coloque el tanque en la nueva posición. Ubique nuevamente la base y ajuste los tornillos. **Ver ilustración en la siguiente página.**

Sujete la unidad en un sistema de trussing firme (utilice abrazaderas de 15 kg atornilladas a la base de su Steam 1500). Utilice un cable de seguridad como medida complementaria. Procure dejar al menos 1 metro de espacio libre alrededor de la unidad para garantizar la circulación de aire.

Set Up

1. Abra el equipo con cuidado y revise que todas

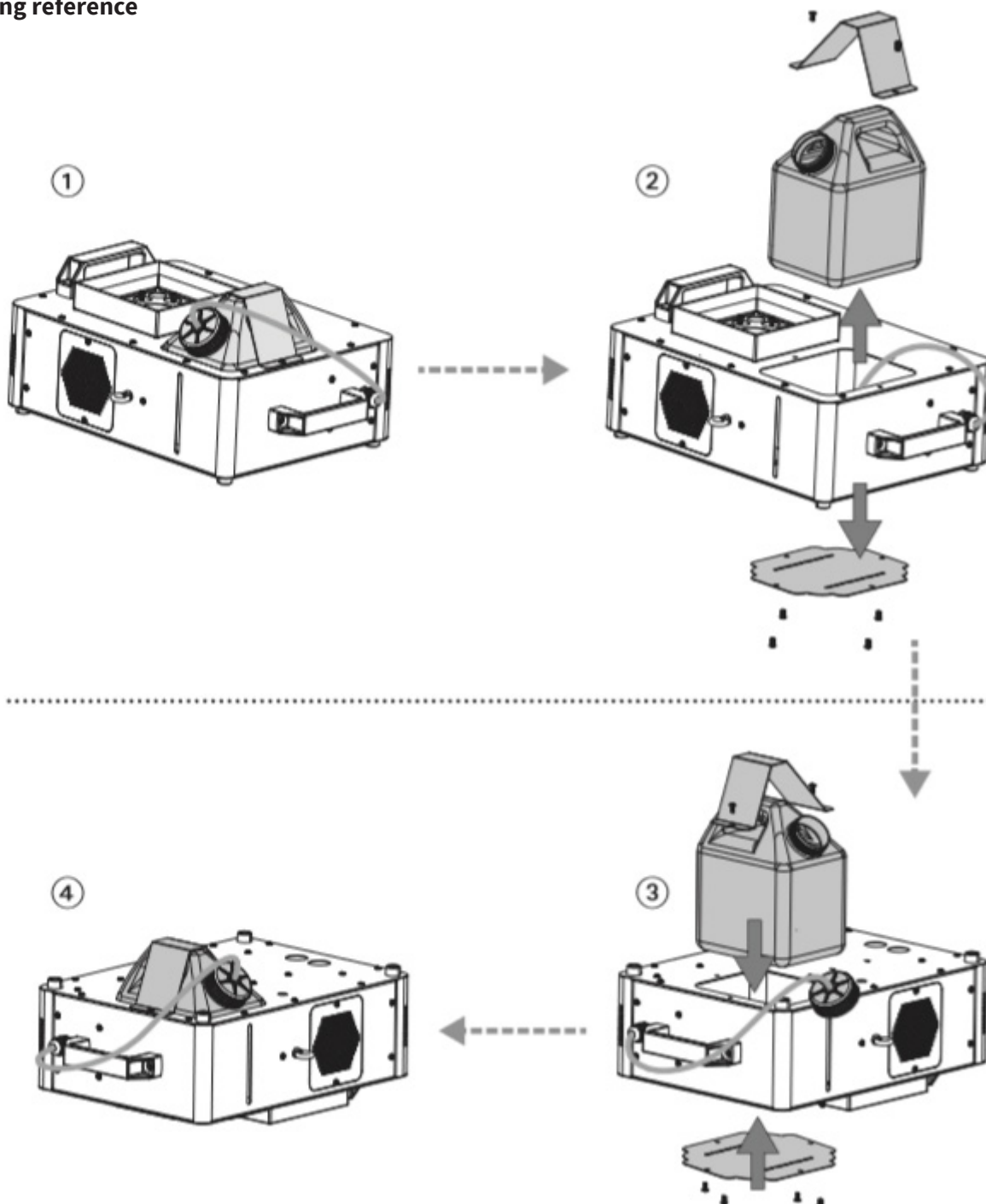
las piezas se encuentren presentes y en buen estado.

2. Verifique que no hayan quedado cubiertas plásticas o de goma espuma en la salida de humo.
3. Ubique el equipo sobre una superficie seca y plana,
4. Coloque el tubo de alimentación con filtro dentro del tanque (C). Utilice únicamente líquido para humo de primera calidad y a base de agua.
5. Conecte el control remoto al conector correspondiente (O). O conecte un controlador DMX (H) en la parte dorsal de la unidad.
6. Conecte el cable de alimentación al suministro eléctrico. Espere aproximadamente 9 minutos de precalentamiento.
7. Refiérase al apéndice A para obtener más detalles de funcionamiento del control remoto.
8. Si se emite humo de forma constante por tiempo prolongado, la unidad disminuirá la tempe-

ratura del calentador hasta cesar la emisión. En caso de que esto suceda, no active la emisión. Espere unos instantes. Una vez que la unidad

vuelva a incrementar la temperatura se podrá reanudar la emisión de humo.

Mounting reference



Panel de control



MENU: Selección del modo DMX, configuración de dirección DMX y macros de color.

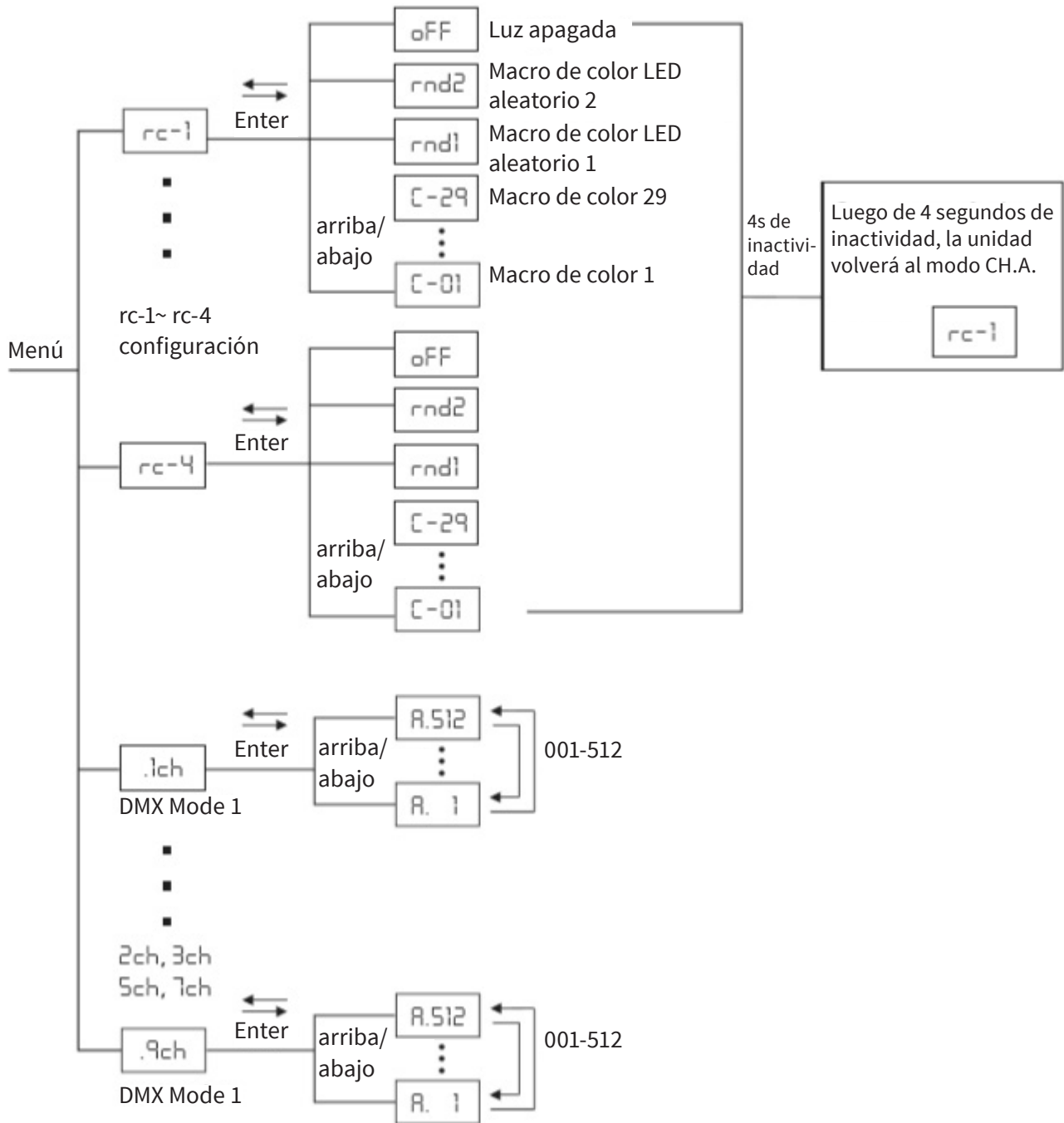
ENTER: Confirmación de acceso a las diferentes opciones del menú.

TECLA ARRIBA: Incrementa el valor numérico.

TECLA ABAJO: Disminuye el valor numérico.

Presione las teclas arriba/abajo 15 segundos para modificar los valores rápidamente.

Descripción del Menú



- **Al apagar el equipo, se guardará automáticamente el estado de la última función en uso y se reanudará la próxima vez que se encienda.**

5. INSTRUCCIONES DE USO

Stand-alone

Coloque la unidad sobre una superficie seca y plana.

1. Conecte el cable de alimentación al suministro eléctrico.
 2. Encienda la unidad. En la pantalla (G) verá "8888", y se encenderán los 26 LEDs (A) ubicados alrededor de la boquilla. Las letras de la pantalla desaparecerán para luego mostrar la última versión del software.
 3. Luego de 2 segundos comienza el precalentado. En la pantalla verá "HEAt". Durante el precalentado, el usuario podrá configurar las funciones normalmente. Luego de 4 segundos de inactividad, la unidad volverá al estado "HEAt".
 4. Espere aproximadamente 9 minutos de precalentamiento.
 5. Presione la tecla de emisión de humo manual (L) para comenzar a operar la unidad.
- **La emisión de humo manual es compatible con todos los modos y al ejecutar los macros de color de CHA.**

Uso del control remoto

Para optimizar el uso de su Steam 1500, utilice el controlador inalámbrico DZ-2.

1. Conecte el control remoto al conector correspondiente (O).
2. Conecte el cable de alimentación al suministro eléctrico.
3. Encienda la unidad. En la pantalla (G) verá "8888", y se encenderán los 26 LEDs (A) ubicados alrededor de la boquilla. Las letras de la pantalla desaparecerán para luego mostrar la última versión del software.
4. Luego de 2 segundos comienza el precalenta-

do. En la pantalla verá "HEAt". Durante el precalentado, el usuario podrá configurar las funciones normalmente. Luego de 4 segundos de inactividad, la unidad volverá al estado "HEAt".

5. Espere aproximadamente 9 minutos de precalentamiento.
6. Cuando no haya señal DMX, el usuario podrá utilizar el control remoto en todos los modos, salvo "dx" y "A.xxx".
7. Refiérase al apéndice A para obtener más detalles de funcionamiento del control remoto.

- **Es posible utilizar la emisión de humo manual y el control remoto al mismo tiempo.**
- **Al apagar el equipo, se guardará automáticamente el estado de la última función en uso y se reanudará la próxima vez que se encienda.**

Observación importante

Cuando se enciende el LED verde en el controlador, no significa que la unidad se ha calentado por completo, sino que indica que ha alcanzado la temperatura suficiente para comenzar la emisión de humo. Para corroborar que la unidad haya completado el precalentado, observe el punto rojo en medio de CH.A (u otros como CH.b, etc.) en la pantalla LED. Si el punto titila, no ha finalizado el proceso de precalentado y la duración de la emisión de humo es de 1-3 segundos. Si el punto no titila, el proceso de precalentado ha finalizado y la duración de la emisión de humo puede alcanzar 8-9 segundos.

Modo DMX

Utilice la pantalla para configurar la dirección DMX deseada. Para más información, refiérase al cuadro de canales DMX.

1. Conecte un extremo del cable DMX del controlador DMX en la entrada (M) de la máquina de

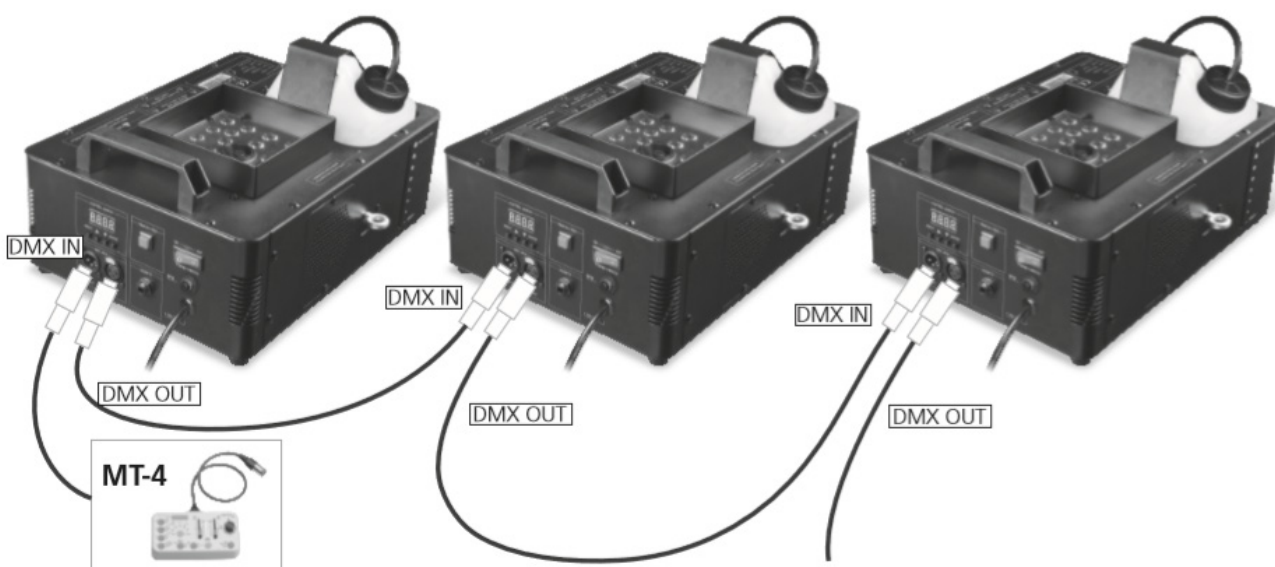
humo. Verifique que la polaridad del cable de señal sea la correcta.

2. Conecte el cable de alimentación al suministro eléctrico.
3. Encienda la unidad. En la pantalla (G) verá "8888", y se encenderán los 26 LEDs (A) ubicados alrededor de la boquilla. Las letras de la pantalla desaparecerán para luego mostrar la última versión del software.
4. Luego de 2 segundos comienza el precalentado. En la pantalla verá "HEAt". Durante el precalentado, el usuario podrá configurar las funciones normalmente. Luego de 4 segundos de inactividad, la unidad volverá al estado "HEAt".
5. Espere aproximadamente 9 minutos de precalentamiento.
6. Existen seis modos DMX: 1, 2, 3, 5, 7 y 9 canales. Seleccione el deseado a través del menú: En la pantalla verá "d1 to d9".
7. Una vez finalizado el precalentado, en la pantalla se indicará el modo de control: ".dx" o "A.xxx". Asegúrese de configurar el modo DMX y la dirección DMX deseadas (control inalámbrico

no disponible). A partir de este momento, su CF-9.5 está lista para ser operada por un controlador DMX.

8. Si desea conectar otra máquina de humo: Conecte el extremo de un cable de señal en la salida (N) de la primera unidad Steam 1500 RGBA. Luego conecte el otro extremo del cable en la entrada de la segunda unidad. Repetir este paso si precisa conectar más máquinas. Es posible conectarlas en cadena si así lo desea.

- **Es posible utilizar la emisión de humo manual y el control DMX al mismo tiempo.**
- **Al apagar el equipo, se guardará automáticamente el estado de la última función en uso y se reanudará la próxima vez que se encienda.**
- **Si el punto rojo, ubicado antes o en medio de las letras (.dx o A.xxx), titila, el proceso de precalentado no ha finalizado y la duración de la emisión de humo será de 1-3 segundos. Si el punto no titila, el proceso de precalentado ha finalizado y la duración de la emisión de humo puede alcanzar 8-9 segundos.**



6. CUADRO DE CANALES DMX

Modo 1 canal

1 CH
EMISIÓN DE HUMO Y MACRO DE COLOR CH.A
32-255: Salida máxima. Cambio de color aleatorio
0-31: Apagado

Modo 2 canales

1 CH	2 CH
EMISIÓN DE HUMO	MACROS DE COLOR
32-255: Salida máxima	Macro de color 1-29
0-31: Apagado	(ver figura 3, lista de macros de color)

Modo 3 canales

1 CH	2 CH	3 CH
EMISIÓN DE HUMO	MACROS DE COLOR	ESTROBO
32-255: Salida máxima	Macro de color 1-29 (ver figura 3, lista de macros de color)	160-255: Estrobo aleatorio (velocidad creciente)
0-31: Apagado		96-159: Efecto pulse en secuencia
		32-95: Estrobo aleatorio (velocidad creciente)
		0-31: Estrobo apagado

Modo 5 canales

1 CH	2 CH	3 CH	4 CH	5 CH
EMISIÓN DE HUMO	ROJO	VERDE	AZUL	ÁMBAR
32-255 MAX SALIDA	1-255 MIN a MAX	1-255 MIN a MAX	1-255 MIN a MAX	1-255 MIN a MAX
0-31= Apagado	0: Apagado	0: Apagado	0: Apagado	0: Apagado

Modo 7 canales

1 CH	2 CH	3 CH	4 CH	5 CH	6 CH	7 CH
EMISIÓN DE HUMO	ROJO	VERDE	AZUL	ÁMBAR	ESTROBO	DIMMER MAESTRO

32-255 MAX SALIDA	1-255 MIN a MAX	1-255 MIN a MAX	1-255 MIN a MAX	1-255 MIN a MAX	160-255: Estrobo aleatorio (velocidad creciente)	1-255 MIN a MAX
0-31= Apagado	0=Apagado	0=Apagado	0=Apagado	0=Apagado	96-159 Efecto pulse en secuencia	0=Apagado
					32-95 Estrobo aleatorio (velocidad creciente)	
					0-31 Estrobo apagado	

Modo 9 canales

1 CH	2 CH	3 CH	4 CH	5 CH	6 CH	7 CH	8 CH	9 CH
EMISIÓN DE HUMO	ROJO 1	VERDE 1	AZUL 1	ÁMBAR	ROJO 2	VERDE 2	AZUL 2	DIMMER MAESTRO
32-255 Max Salida	1-255 MIN a MAX	1-255 MIN a MAX	1-255 MIN a MAX	1-255 MIN a MAX	1-255 MIN a MAX	1-255 MIN a MAX	1-255 MIN a MAX	1-255 MIN a MAX
0-31= Apagado	0= Apagado	0=A pagado	0= Apagado	0= Apagado	0= Apagado	0= Apagado	0= Apagado	0= Apagado

7. LISTA DE MACROS DE COLOR

Valor	Color	Valor	Color
0-7	Apagado	128-135	Rojo_1 = 185 Rojo_2 = 100 Verde_1 = 55 Verde_2 = 70 Azul_1 = 233 Azul_2 = 167 Ámbar = 0
8-15	Rojo_1 = 255 Rojo_2 = 0 Verde_1 = 0 Verde_2 = 0 Azul_1 = 0 Azul_2 = 0 Ámbar = 0	136-143	Rojo_1 = 63 Rojo_2 = 25 Verde_1 = 69 Verde_2 = 32 Azul_1 = 18 Azul_2 = 177 Ámbar = 255
16-23	Rojo_1 = 0 Rojo_2 = 0 Verde_1 = 255 Verde_2 = 0 Azul_1 = 0 Azul_2 = 0 Ámbar = 0	144-151	Rojo_1 = 0 Rojo_2 = 0 Verde_1 = 254 Verde_2 = 125 Azul_1 = 0 Azul_2 = 125 Ámbar = 33

24-31	Rojo_1: 0 Rojo_2: 0 Verde_1: 0 Verde_2: 0 Azul_1: 255 Azul_2: 0 Ámbar: 0	152-159	Rojo_1: 0 Rojo_2: 0 Verde_1: 200 Verde_2: 200 Azul_1: 200 Azul_2: 139 Ámbar: 0
32-39	Rojo_1: 0 Rojo_2: 0 Verde_1: 0 Verde_2: 0 Azul_1: 0 Azul_2: 0 Ámbar: 255	160-167	Rojo_1: 45 Rojo_2: 122 Verde_1: 0 Verde_2: 0 Azul_1: 156 Azul_2: 77 Ámbar: 0
40-47	Rojo_1: 0 Rojo_2: 0 Verde_1: 255 Verde_2: 0 Azul_1: 0 Azul_2: 255 Ámbar: 0	168-175	Rojo_1: 200 Rojo_2: 177 Verde_1: 0 Verde_2: 0 Azul_1: 235 Azul_2: 220 Ámbar: 0
48-55	Rojo_1: 255 Rojo_2: 0 Verde_1: 0 Verde_2: 0 Azul_1: 0 Azul_2: 255 Ámbar: 0	176-183	Rojo_1: 80 Rojo_2: 55 Verde_1: 178 Verde_2: 55 Azul_1: 44 Azul_2: 166 Ámbar: 255
56-63	Rojo_1: 255 Rojo_2: 0 Verde_1: 0 Verde_2: 0 Azul_1: 0 Azul_2: 0 Ámbar: 255	184-191	Rojo_1: 130 Rojo_2: 75 Verde_1: 222 Verde_2: 170 Azul_1: 28 Azul_2: 195 Ámbar: 111
64-71	Rojo_1: 255 Rojo_2: 0 Verde_1: 0 Verde_2: 255 Azul_1: 0 Azul_2: 0 Ámbar: 0	192-199	Rojo_1: 0 Rojo_2: 88 Verde_1: 142 Verde_2: 48 Azul_1: 0 Azul_2: 200 Ámbar: 200
72-79	Rojo_1: 0 Rojo_2: 0 Verde_1: 0 Verde_2: 0 Azul_1: 255 Azul_2: 0 Ámbar: 255	200-207	Rojo_1: 255 Rojo_2: 255 Verde_1: 0 Verde_2: 0 Azul_1: 0 Azul_2: 0 Ámbar: 0
80-87	Rojo_1: 0 Rojo_2: 255 Verde_1: 255 Verde_2: 0 Azul_1: 0 Azul_2: 0 Ámbar: 0	208-215	Rojo_1: 0 Rojo_2: 0 Verde_1: 255 Verde_2: 255 Azul_1: 0 Azul_2: 0 Ámbar: 0
88-95	Rojo_1: 128 Rojo_2: 77 Verde_1: 100 Verde_2: 0 Azul_1: 50 Azul_2: 165 Ámbar: 0	216-223	Rojo_1: 0 Rojo_2: 0 Verde_1: 0 Verde_2: 0 Azul_1: 255 Azul_2: 255 Ámbar: 0
96-103	Rojo_1: 77 Rojo_2: 77 Verde_1: 210 Verde_2: 0 Azul_1: 56 Azul_2: 0 Ámbar: 234	224-231	Rojo_1: 0 Rojo_2: 0 Verde_1: 0 Verde_2: 0 Azul_1: 0 Azul_2: 0 Ámbar: 255

104-111	Rojo_1: 82 Rojo_2: 134 Verde_1: 0 Verde_2: 0 Azul_1: 99 Azul_2: 222 Ámbar: 50	232-239	Rojo_1: 255 Rojo_2: 255 Verde_1: 255 Verde_2: 255 Azul_1: 255 Azul_2: 255 Ámbar: 255
112-119	Rojo_1: 0 Rojo_2: 210 Verde_1: 79 Verde_2: 50 Azul_1: 0 Azul_2: 50 Ámbar: 220	240-247	Aleatorio_1
120-127	Rojo_1: 63 Rojo_2: 145 Verde_1: 75 Verde_2: 166 Azul_1: 0 Azul_2: 100 Ámbar: 44	248-255	Aleatorio_2

8. RESOLUCIÓN DE PROBLEMAS

Esta guía le permitirá al usuario resolver problemas simples. En caso de surgir algún inconveniente con la unidad, siga los pasos descritos a continuación hasta lograr resolverlo. Una vez solucionado el inconveniente, no es necesario continuar con los pasos restantes. Si el equipo continúa con inconvenientes, póngase en contacto con el servicio técnico autorizado.

La unidad está conectada, pero no hay emisión de humo

1. Verifique el suministro eléctrico. Conecte la unidad a una fuente de alimentación con toma a tierra y el rango de voltaje correspondiente.
2. Verifique el estado del control remoto y si cuenta con suficiente batería.
3. Verifique la configuración de la dirección DMX.
4. Desconecte la unidad del suministro eléctrico. Reemplace el fusible por uno del mismo tipo y rango.

Otras situaciones anómalas

- Este mensaje titilante indica sobrecalentamiento del calentador o un corte en el termosensor.

9. MANTENIMIENTO

Desconecte la unidad del suministro eléctrico y aguarde que se enfríe antes de realizar cualquier tarea de mantenimiento. Un profesional calificado debe realizar el mantenimiento de la unidad.

- No permita que se ensucie el líquido de humo. Asegúrese de limpiar y sustituir las tapas del tanque. Vuelva a colocarlas de inmediato para evitar que ingresen partículas indeseadas.
- Verifique que no haya pérdidas de aceite en los conectores del tubo, la bomba y el calentador. Si detecta una pérdida, utilice una herramienta para asegurar firmemente los conectores.
- Mantenga la placa de PC limpia y en buen estado. Si detecta aceite, extraiga la placa y límpiela de ambos lados con alcohol diluido. Déjela secar bien y luego vuelva a colocarla. Compruebe la correcta conexión de todos los cables.
- Utilice un paño seco para limpiar la cubierta de la unidad.

APÉNDICE A DZ-2

1. Conector estéreo de 1/4"
2. Botones
3. LED verde (emisión)
4. LED rojo (encendido)



Uso del control remoto

Steam 1500 RGBA está diseñado para funcionar con un control remoto. La distancia factible del control se extiende a los 30 metros. Siga las instrucciones de uso descritas a continuación:

A. Transmisor de cuatro canales

Las teclas A, B, C, D corresponden a “CH.A, CH.b, CH.c, CH.d” respectivamente. Cada canal puede contar con su propio macro de color a través de las teclas de menú (ver apartado Descripción del menú). Presione una tecla para comenzar la emisión de humo y suéltela para detenerla.

B. Receptor

- LED rojo: Indicador de encendido. Una vez encendida la máquina de humo, el LED rojo del receptor se encenderá. Al desconectarla, el LED rojo se apagará.

- LED verde: Indicador de estado.
 1. Durante el precalentamiento, el LED verde estará apagado.
 2. Una vez finalizado el precalentamiento, el LED verde se encenderá.
- **En caso de recibir una señal válida, el LED verde del receptor se apagará. Si dicha señal se interrumpe, el LED verde se encenderá y la emisión finalizará.**
- **La máquina no emite humo durante los 9 minutos de calentamiento y los 80 segundos de los ciclos de recalentamiento. Una vez alcanzada la temperatura necesaria, estará lista para operar.**

Observación importante

Cuando se enciende el LED verde en el contro-

lador, no significa que la unidad se ha calentado por completo, sino que indica que ha alcanzado la temperatura suficiente para comenzar la emisión de humo.

Para corroborar que la unidad haya completado el precalentado, observe el punto rojo en medio de CH.A (u otros como CH.b, etc.) en la pantalla LED. Si el punto titila, no ha finalizado el proceso de precalentado y la duración de la emisión de humo es de 1-3 segundos. Si el punto no titila, el proceso de precalentado ha finalizado y la duración de la emisión de humo puede alcanzar 8-9 segundos.

Especificaciones del controlador compatible

Modelo	DZ-2
Distancia efectiva (espacio abierto)	Hasta 30 metros
Conector	Conector estéreo de 1/4"
Función	Control de 4 macros de color
Dimensiones	Receptor 91x58x29 mm Cable 600 mm (conector estéreo incluido) Transmisor 63x39x14 mm
Peso	Receptor 85 g

Observación: La información de este manual está sujeta a cambios sin previo aviso.



neo.amproweb.com



facebook.com/amprogroup



youtube.com/amprogroup