

STEAM

FAZE MACHINE

F700



USER MANUAL / MANUAL DE USUARIO

PLEASE READ THE INSTRUCTIONS CAREFULLY BEFORE USE
POR FAVOR LEA LAS INSTRUCCIONES ANTES DE USAR



1. OVERVIEW

Steam F700

Faze machine - 9,000 cubic feet per minute

Steam F700 is a high performance faze machine with an output of 9,000 cubic feet per minute. Thanks to its technology produces a haze effect from conventional smoke, optimizing the liquid consumption. With a flow adjustment that goes from 5% to 100%, Steam F700 has a smooth and stable output that adapts to any requirement. Easy to operate and with a pre-heating time of 75 seconds, in addition to its 2-liter capacity tank, Steam F700 is a truly professional fazer for medium-scale applications.

Output

- Smoke output: 9,000 cubic feet per minute
- Warm up time: 75 seconds
- Tank: 2 lts./ 67 Oz.
- Liquid consumption: 10 ml/min / 0.3 oz/min

Control

- Operational modes: DMX, continuous & timer
- DMX channels: 2

Physical

- DMX connectors: 2 XLR connectors (XLR-3 In and Out)
- Power supply connector: PowerCON in LED display
- Dimensions: 378x317x310 mm. / 14.9x12.4x12.2 in.
- Weight: 5 Kg. / 11 Lbs.

Thank you for selecting our Steam F700 Faze machine, you already own the high-tech, professional DMX Faze! Better read the manual thoroughly before operation, follow instruction will help you have a smooth handling with Steam F700 Faze machine to achieve the most satisfactory faze effect, it will also assist unit to further prolong life time as a whole.

2. WARNING!



Like all electronic products, Steam F700 must be used with safety precautions in mind. Fill enough fluid before plugging in, empty fluid tank when not in use or moving.



- Use only appropriate, grounded electric power supply for your unit. See your product specification label for appropriate power supply. This appliance must be earthed.
- Disconnect from electric mains power supply when not in use, when filling the fluid tank, or when changing a fuse. Keep unit dry. If moisture or liquids enter the faze machine case, immediately disconnect power supply. Contact a service technician to determine safety for use.
- Keep machine in flat position, never put it in tilted place.
- Before moving faze machine, always drain fluid into the tank and tighten the tank cap securely to avoid spilling.
- Without user-serviceable parts in the package, please contact your local agent or qualified technician for servicing.
- Without changeable structure by non-qualified user, please do not open the up cover or have any change at will, otherwise, it may cause accident.
- Faze machine is for adult use. Keep out of reach of children. Never leave the unit running unattended.
- Faze machine nozzle gets hot over 200 degrees (centigrade) during use. Don't touch! Maintain a safe distance over 100CM. Never aim the nozzle directly at people.
- Keep case closed while operating. Put faze machine in drafty place. Do not insert objects into air vents. Allow 20cm space or above around the machine for proper ventilation.
- Keep faze machine away from flames and flammable items. Never aim the nozzle at open flames or sparks. Use only high quality water-based faze fluid. Never put flammable substances into the tank.
- Machine must cool down before cleaning, servicing or storing.
- Never put any flammable material (lipid, gas, perfume etc.) into the tank, read the user manual thoroughly before operation.
- Better use our high quality water-based faze fluid, random use with other faze fluid may jam the pipe, or even erode the components inside.
- Keep sufficient fluid in tank. Operating the unit without sufficient fluid, the pump will slowdown the power.
- If any abnormal running occurs, stop it immediately, empty the fluid, and bring the done up unit (recommend original box) to your agent or dealer for servicing. Make sure all fluid is empty from the tank before moving or shipping.
- Never drink fluid. If ingested, call a doctor immediately. If fluid contacts eyes or skin, rinse skin thoroughly with water.
- Read user manual instructions thoroughly before operating. Follow the instruction. Never remove warning or informative labels from the unit.

Important Safeguards

- Read all instruction
- Products for indoor use only. Keep away from liquids. Never operate in rain or in damp conditions.
- Unit must be grounded.

- Don not open unit, risk of electric shock.
- Keep machine in flat position, never put it in tilted place.
- Do not immerse in any liquid.
- Save these instructions.

Caution!

There are no user serviceable parts inside this unit. Do not attempt any repairs yourself, doing so will void your manufactures warranty. In the unlikely event your unit may require service please contact your local dealer.

Please note

Specifications and improvements in the design of this unit and this manual are subject to change without any prior written notice.

Important

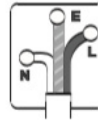
The wires in this mains lead are colored in accordance with the following code.

EU

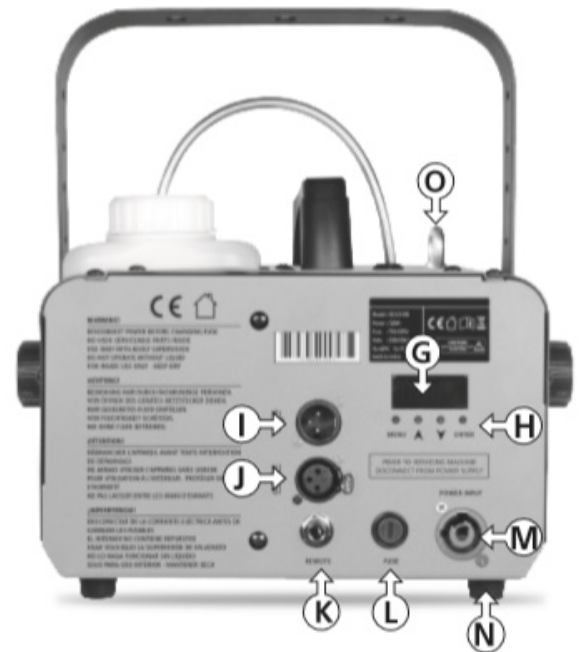
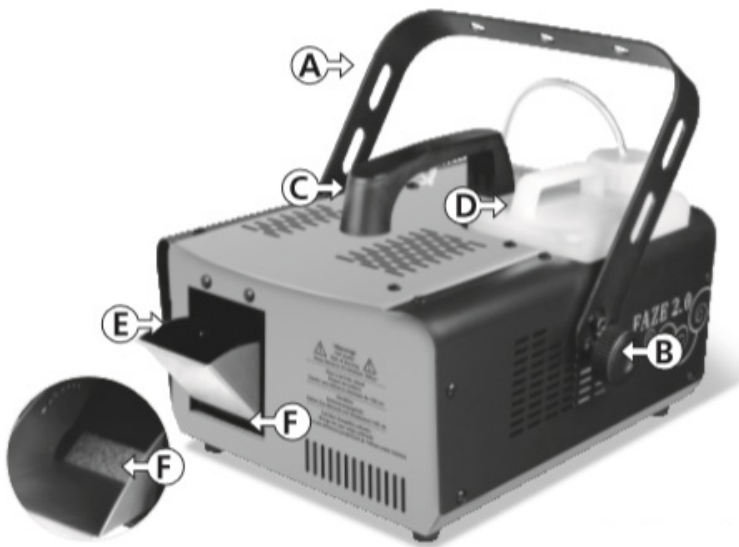
Green and Yellow – Earthed (E) Blue – Neutral (N) Brown – Live (L) Warning: This appliance must be earthed.

USA

Green and Yellow – Earthed (E) White – Neutral (N) Black – Live (L) Warning: This appliance must be earthed.



3. FUNCTIONS



- A. Hanging Bracket**
- B. Knob of Bracket**
- C. Handle**
- D. Tank**
- E. Smoke Vent**
- F. Sponge**
- G. LED Display**
- H. 4 Function Buttons**
- I. DMX 3 pin XLR Input**
- J. DMX 3 pin XLR Output**

- K. Remote Control Socket Connection**
- L. FUSE**
- M. Electric Power Input**
- N. Cushion**
- O. Safety Loop**

4. DESCRIPTION

- Smooth and stable smoke output control from 5-100%. In accordance with different wind power, the smoke can be adjusted from minimum to 100%. Suitable for operation in any locations.
- 5-100% fan speed adjustment. Quiet and smooth fan let the smoke disperse unknowingly. 100% high fan speed let the smoke be thin and even, and expand more quickly throughout the location.
- Primary heating up takes very short time, only about 75 seconds, shorter than general haze machines.
- DMX on board, 2CH DMX, operate by any additional DMX controller.
- Multi-function operation control. Built-In timer control, manual fogging control and continuous fogging control.
- Steam F700 is equipped with adjustable smoke vent.
- Self-cleaning function: The machine design of machine stops working after a delay of 30 seconds, automatically clear the tubing of the remaining liquid.
- Design of expediting liquid supply: When low smoke output, it takes more time for supplying the liquid for the first time. The function of manual fogging is suggested to be used for expediting liquid supply and save time.
- Easy understanding LED display and intelligent design of software control.
- Heavy-duty. Able to keep working long time.

5. GETTING READY

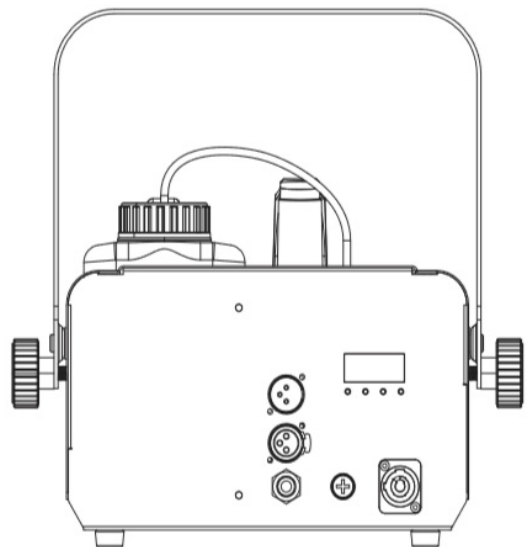
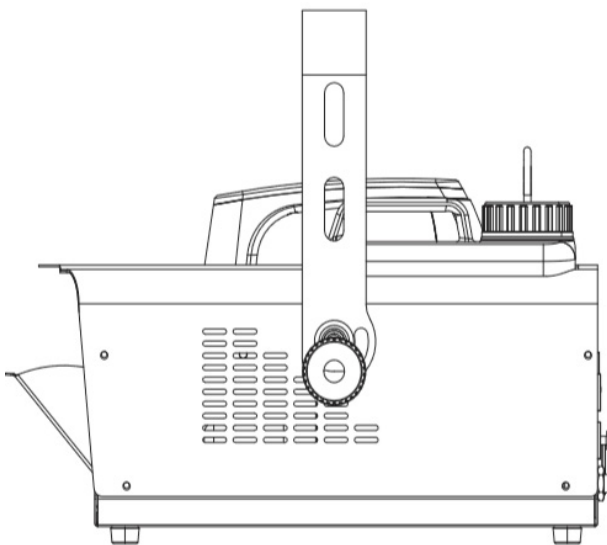
All products are thoroughly tested at the factory and shipped in perfect condition. If damage has occurred during shipping, or if components are missing, please contact your local dealer immediately

Your package should include:

- One **Steam F700**
- One product user manual

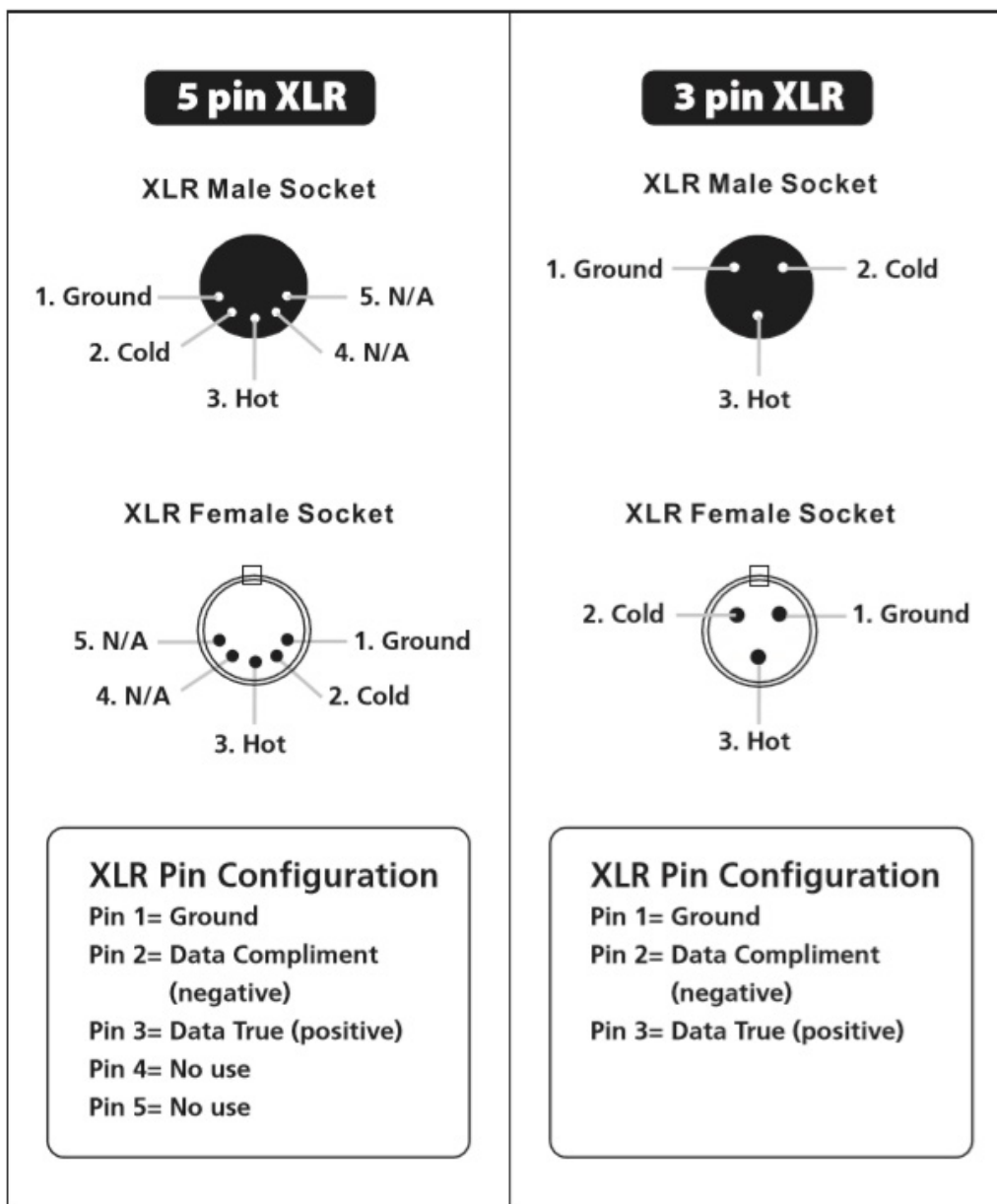
6. SET UP

1. Open the shipping carton and carefully remove the unit from the shipping carton;
2. Be sure to remove packing material from around the faze machine, especially near the nozzle;
3. Set the faze machine on a dry, flat surface;
4. Place the feeder tube with filter deep inside the full fluid tank (Figure 1-D). Use definitely water based liquid of good quality;
5. Plug mains power cord from the faze machine into appropriate power supply socket. Wait about 75 seconds for heating element to heat up;
6. Use LED display for operating control, or connect DMX controller for setting, or firmly attach the remote control mechanism to socket (Figure 1-K) on the rear of the unit;
7. Refer to your controller manual for operation details. (Appendix A).



7. DMX CONNECTOR PIN ASSIGNMENT

The machine provides a 3- or 5-pin XLR connector for DMX connection. The diagram below indicates pin assignment information.



8. FUNCTIONS OF THE BUTTONS



MENU: Function switching button; then have the numerical value changed by using UP and DOWN buttons.

- A.xxx: Setting of DMX address. Range of address value: address=001~512. Press "UP" or "Down" 1.5 seconds can change value continuously and fast, pressed UP/DOWN at the same time, value back to 1.
- P.xxx: Setting output of timing fogging and continuous Fogging (Puff Volume=5~100%).
- F.xxx: Setting fan speed of timing fogging and Continuous Fogging (Fan=5~100%).
- t.oFF/t.on: Setting Timer ON/OF, switching by UP and DOWN buttons.
- d.xxx: Setting duration of timing fogging (Duration=3~250s).
- i.xxx: Setting interval of timing fogging (Interval=5~250s).

UP: Button for increasing numerical value

DOWN: Button for decreasing numerical value

ENTER: Starting button of fogging, release to stop.

Self-cleaning function: The machine design of machine stops working after a delay of 30 seconds, automatically clear the tubing of the remaining liquid. Set values are automatically saved.

REMARK: To reduce the possibility of that the wind mouth gets humid, the software will detect the wind value and the fog value, and do proper adjustment. Under display control mode (timing fogging, continuous fogging) or DMX control mode: when fog value is adjusted to 100%, the software will adjust wind value (even it is set at 5%) to 30% automatically; when wind value is adjusted to 5%, the software will reduce fog value to 50% automatically. This will prevent the smoke vent from getting humid because of too small wind but too much fog.
*Fog value = Puff Volume, wind value = Fan

9. OPERATION

1. "8.8.8.8" Plug mains power cord from the faze machine into appropriate power supply socket;
2. "u.X.X" Primary power on;
3. 1 seconds after, show the current software version;
4. "HEAT" 2 seconds after, switches to working status: heating up;
5. Wait about 75 seconds for heating element to heat up;
6. "idLE" When heating completed, displays the previous picture shows stand by status;
7. After the heating up is complete, Please do follow the required operating modes;

Manual Continuous Fogging Operatio

1. "idLE" When heating completed, displays the previous picture shows stand by status;
2. Under this status, press "ENTER" to start fogging;
3. Under Fogging status to adjust Puff Volume and Fan;
4. "P.xxx" Press "Up" or "Down" to adjust Puff Volume (5-100%);
5. Press MENU to switch Puff volume and Fan;
6. "F.xxx" Press "Up" or "Down" to adjust Fan (5-100%);
7. Under fogging status, press "ENTER" to stop fogging;
8. "cLn_" Please note the machine design of machine stops working after a delay of 30 seconds, automatically clear the tubing of the remaining liquid;
9. "idLE" After cleaning, back to stand by status.

Under "idLE" or "cLn_s" tatus, still can operate the machine, press MENU button to check and set numbers.

Timing Fogging Operation

1. "idLE" When heating completed, displays the previous picture shows stand by status;
2. Press MENU to switch to built-in timer ON/OFF;
3. "t.oFF" or "t. ON" Press "Up" or "Down" to switch timer ON/OFF
4. Under built-in Timer ON, Press MENU to switch Duration and Interval;
5. "d.xxx" Press "Up" or "Down" to adjust time value of duration (3s - 250s);
6. "i.xxx" Press "Up" or "Down" to adjust time value of interval (5s - 250s);
7. Press "ENTER" to start timing fogging;
8. Press again "ENTER" to stop Timing fogging;
9. "cLn_" Please note the machine design of machine stops working after a delay of 30 seconds, automatically clear the tubing of the remaining liquid
10. "idLE" After cleaning, back to stand by status.

Under "idLE" or "cLn." status, still can operate the machine, press MENU button to check and set numbers.

Other Operation Tips

Under "idLE" or "cLn_" press MENU button to check and set numbers:

1. "t.oFF" / "t. on" Built-in timer On/Off,
2. "d.xxx" Built-in timer, single fogging duration 3s-250s
3. "i.xxx" Built-in timer, Interval fogging time 5s-250s
4. "A.xxx" DMX address setting 1-512 (press UP or DOWN button to set)

For item 1, 2, 3: Press UP of Down to set numbers, 4

seconds without operation back to *idLE* or *cLn_*.

Remote Control Operation

For best result, use VT-1 puff volume adjustable controller

1. Firmly attach the remote control to socket (Figure 1-K) on the back of the unit
2. Displays the previous picture, fogging controlled by display stops working, puff volume controlled by VT-1;
3. Refer to your controller manual for controller operation details (Appendix A);

VT-1 only control the puff volume, Fan still controlled by display. Press UP/DOWN on the panel to adjust Fan, displays F.xxx, 2 seconds without operation, back to P.xxx. Press MENU to check current Fan value, displays F.xxx, 2 seconds without operation, back to P.xxx.

DMX Control Operation

1. Connect the DMX 512 controller cable to the input socket (Figure 1-I) of the fog machine unit. Make sure the signal cable polarity is correct. When DMX socket receives effective DMX signals, the machine enter DMX control mode automatically
2. There are 2 DMX channel machine, refer to DMX channel chart in Figure 2 make related settings
3. Interchange puff volume "P.xxx" / Fan volume "F.xxx", every 3 seconds
4. "A.xxx" Press MENU to check current DMX address, press UP/DOWN to set DMX address;
5. After 3 seconds without operation, back to interchange of puff volume "P.xxx" / Fan volume "F.xxx"
6. "P.xxx" Displays current puff volume is controlled by DMX;
7. "F.xxx" Displays current fan volume is controlled by DMX;
8. If desired, connect another faze machine: Plug one end of another signal cable in to the output

socket (Figure 1-J) on the back of the first Steam F700; plug the other end of the signal cable to the input socket (Figure 1-I) on the back of the second Steam F700. Follow the same procedure to link more fog machine, if desired; whole link is daisy chain.

9. Down. Refer to DMX channel chart in Figure 2 make related settings. Now start operating Steam F700 with DMX console.

Under idLE or cLn_ status, still can operate the machine, press MENU button to check and set numbers.

REMARK To reduce the possibility of that the wind mouth gets humid, the software will detect the wind value and the fog value, and do proper adjustment. Under display control mode (timing fogging, continuous fogging and manual fogging) or DMX control mode: when fogvalue is adjusted to 100%, the software will adjust wind value (even it is set at 5%) to 30% automatically; when wind value is adjusted to 5%, the software will reduce fog value to 50% automatically. This will prevent the smoke vent from getting humid because of too small wind but too much fog. * Fog value = Volume, wind value = Fan

10. DMX CHART

2CH Mode

CH1	CH2
Puff Volume (P.xxx)	Fan (F.xxx)
5-255 5%-100%	16-255 6%-100%
0-4 off	0-15 5%

11. TROUBLESHOOTING

This troubleshooting guide is meant to help solve simple problems. If a problem occurs, carry out the steps below in sequence until a solution is found. Once the unit operates properly, do not carry out following steps. If the problem persists, refer servicing to a qualified technician.

12. POWER CONNECTED BUT NO SMOKE IS EMITTED

1. Check the power supply. Plug the unit into grounded electric power supply socket with proper voltage.
2. Disconnect fog machine from electric power supply. Replace fuse with one of the same type.
3. Keep sufficient fluid in tank.
4. Check if pump is working (with fluid flow or not).
5. Check if the heater is heating (touch the panel to see if it is warming).
6. Check your controller if in correct connection.
7. Check your DMX address setting.

13. POWER CONNECTED, FOG BLASTS NOT SMOOTH

Should there be any low fog emitted, running noisily or hindered fogging, pull out the plug immediately. Check if string enough fluid, if the pipe connected to the tank is clean, if there's air inside the pipe, if the liquid flows, if not, plug-in again; still persists abnormal running, and If causation is unclear, stop running to avoid any damage, shut down to cool it, and bring unit to your local agent or appointed service place for inspection, prohibit any dismantlement by yourself.

14. OTHER ABNORMAL SITUATIONS

- “Erro” Flashing and showing this status, means heater is too hot or thermos sensor is cut.
- “noHt” Flashing and showing this status, means unable heating.
- “noFL” Flashing and showing this status, means fluid runs out or pumping no fluid. At this moment, speed of the fan will reduce to minimum, and pump will stop working.

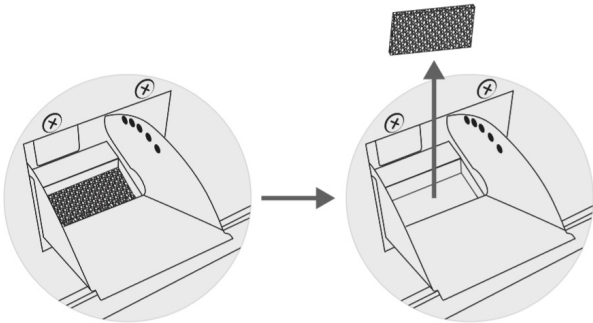
15. MAINTENANCE

Before doing maintenance, please make sure that the power is cut, the power cord is unplugged, and the machine itself has cooled down. The maintenance must be done by qualified person. Before doing maintenance, please make sure that the power is cut, the power cord is unplugged, and the machine itself has cooled down.

The maintenance must be done by qualified person.

- The liquid is not allowed to get dirty. Be sure to always clean or replace the caps on the liquid vessel and tight the cover of the faze machine liquid tank immediately after filling.
- Prolonged use, sponge inside the vent may

accumulate oil, periodically cleaned out or replaced with a new sponge.



- Periodically check the connections among the oil tube, the pump and the heater to see if there's oil leaking. If positive, lock tight the

connections carefully with proper tool.

- PC board should be kept from being dirtied with oil. In case this happened, dismantle carefully the PCB, and have it brushed clean both sides with dilute alcohol. Leave it dry itself, then install it back. Make sure all wires are well connected.
- Clean the metal cover with dry cloth.

REMARK Before shot down the machine, should stop first all fogging operation and wait 30 seconds until status ends, then cut the power. (Wait until the liquid left in the pipe vaporized completely to avoid temporary fogging smoke when switched on the machine next time. This can also prolong the span life of the machine.)

16. APPENDIX - A VT-1

Volume Adjustable Controller Operation:

The Steam F700 is designed with volume adjustable controller. Detail operation as bellows; 1. Firmly attach the VT-1 to socket (Figure1-K) on the back of the Steam F700, and red LED (power) upon VT-1 light up; 2. LED display of Steam F700 shows P.xxx, fogging controlled by display stops working, puff volume controlled by VT-1; 3. When Steam F700 reached operating temperature, and green LED of

VT-1 will light up, and has ready for emission by adjusting knob; 4. There is a adjusting knob (with ON/OFF) for puff volume on VT-1. Clockwise adjustment for increasing smoke; counterclockwise adjustment for decreasing smoke; knob counterclockwise adjusted to the end, fogging stops; LED display of Steam F700 will show cLn_. meaning left liquid cleaning, P. 0 meaning cleaning completed.

VT-1 only control the puff volume, Fan still controlled by display. Press UP/DOWN on the panel to adjust Fan, displays F.xxx, 2 seconds without operation, back to P.xxx. Press MENU to check current Fan value, displays F.xxx, 2 seconds without operation, back to P.xxx.



- A-1/4" stereo jack**
- B- Knob**
- C- Green LED (fog)**
- D- Red LED (power)**

1. DESCRIPCIÓN

Steam F700

Maquina de humo profesional con efecto RGBA

Steam F700 es una máquina de haze de alto desempeño con una salida de 9.000 pies cúbicos por minuto. Gracias a su tecnología produce un efecto haze a partir del humo convencional, optimizando el consumo de líquido. Con un ajuste de caudal que va desde el 5% al 100%, Steam F700 cuenta con una salida suave y estable que se adapta a cualquier requerimiento. Fácil de operar y con un tiempo de precalentado de 75 segundos, sumado a su tanque de 2 litros de capacidad, Steam F700 es un hazer realmente profesional para aplicaciones de mediana escala.

Salida

- Salida: 9.000 pies cúbicos por minuto
- Tiempo de calentamiento: 75 segundos
- Tanque: 2 lts. / 67 Oz.
- Consumo de líquido: 10 ml/min / 0,3 oz/min

Control

- Modos de operación: DMX, continuo & cronometrado
- Canales DMX: 2

Físico

- Conectores DMX: 2 conectores XLR (XLR-3 de entrada & salida)
- Conector de alimentación: PowerCON de entrada Display LED
- Dimensiones: 378x317x310 mm. / 14,9x12,4x12,2 pulg.
- Peso: 5 Kg. / 11 Lbs.

Gracias por haber elegido un producto de Ampro. Steam F700 es una máquina de faze DMX profesional de última tecnología. Lea atentamente el manual antes de utilizar el equipo y procure seguir las instrucciones para obtener resultados óptimos. Consérvelo para futuras referencias ya que le brindará las herramientas necesarias para prolongar la vida útil del equipo.

2. ADVERTENCIA



Como con cualquier dispositivo electrónico, tome todas las precauciones necesarias para utilizar Steam F700.



Antes de conectar el equipo, procure llenar el tanque con la cantidad de líquido necesario. Vacíe el tanque durante los periodos de inactividad.

- Utilice únicamente conexiones con toma a tierra para suministrar corriente a la unidad. Para obtener más información sobre la fuente de alimentación, refiérase a las especificaciones técnicas de la unidad. Este producto debe conectarse a una toma a tierra.
- Desconecte la unidad del suministro eléctrico cuando esté en desuso, cambie el fusible o cargue el tanque. Mantenga la unidad seca y limpia. En caso de que haya ingresado líquido en el producto, desconéctelo de inmediato y póngase en contacto con el servicio técnico autorizado de inmediato.
- Utilice el producto sobre una superficie plana sin inclinaciones.
- Procure vaciar el tanque y asegurar el tapón del tanque antes de transportar la unidad.
- El equipo no contiene piezas que puedan ser reparadas por el usuario. En caso de precisar asistencia, póngase en contacto con el servicio técnico autorizado.
- Por su seguridad, está prohibida la introducción de modificaciones no autorizadas en el equipo.
- Mantenga el producto fuera del alcance de niños y usuarios inexpertos. No deje la unidad en funcionamiento y sin supervisión.
- La boquilla de la unidad alcanza una temperatura de 200°C durante su funcionamiento. ¡No la toque! Instale el equipo a una distancia mínima de 100 cm de otros objetos o personas. No apunte la salida de humo directamente hacia las personas .
- Mantenga la cubierta cerrada durante el funcionamiento de la unidad. Instale la unidad en un ambiente bien ventilado y con circulación de aire. Evite introducir objetos en las ranuras de ventilación. Mantenga una distancia mínima de 20 cm entre la unidad y la pared o el techo para garantizar una correcta ventilación.
- Mantenga la unidad alejada de objetos inflamables y llamas expuestas. No apunte la salida de humo hacia llamas o chispas. Utilice únicamente líquido para humo de primera calidad y a base de agua. Nunca introduzca líquidos combustibles en el tanque de la unidad.
- Permita que la unidad se enfríe antes de realizar cualquier tarea de mantenimiento.
- Utilice únicamente el líquido de humo a base de agua recomendado por Ampro. Cualquier otro tipo de líquido puede generar obstrucción y oxidación de los componentes.
- Verifique que la unidad cuente con suficiente líquido de humo en el tanque. Poner la unidad en marcha sin líquido puede dañar el motor y el calentador.
- Desconecte el equipo de inmediato si observa un funcionamiento anómalo. Escurra todo el líquido del tanque, coloque la unidad en su embalaje original y llévelo a su distribuidor para que lo revise. Procure vaciar el tanque antes de transportar la unidad.
- No beba el líquido de humo. En caso de ingerirlo, llame al médico de inmediato. Evite el contacto con los ojos y la piel. En caso de que ocurra, lave con abundante agua.
- Lea atentamente el manual antes de utilizar el equipo. Procure seguir todas las instrucciones y advertencias. No retire las etiquetas informativas o de advertencias de la unidad.

Instrucciones de seguridad

- Lea todas las instrucciones.
- El producto fue diseñado para uso en interiores. Mantenga la unidad lejos de sustancias líquidas. Nunca opera la unidad bajo la lluvia o en ambientes con alto porcentaje de humedad.
- Procure la conexión a tierra de la unidad.
- No abra la unidad. Riesgo de descarga eléctrica.
- Utilice el producto sobre una superficie plana sin inclinaciones.
- No sumerja la unidad en agua.
- Conserve este manual para futuras referencias.

Precaución

El equipo no contiene piezas que puedan ser reparadas por el usuario. Cualquier intento de reparación invalidará la garantía del fabricante. En caso de precisar asistencia, póngase en contacto con el servicio técnico autorizado.

Observaciones

Las especificaciones y el diseño de la unidad y el manual están sujetos a posibles modificaciones sin previo aviso.

Importante

Código de colores de los cables de alimentación

UE

Amarillo/verde: Tierra (TT)

Azul: Neutro (N).

Marrón: Fase (L).

Advertencia: Este producto debe conectarse a una toma a tierra.

EE.UU

Amarillo/verde: Tierra (TT)

Blanco: Neutro (N).

Negro: Fase (L).

Advertencia: Este producto debe conectarse a una toma a tierra.



3. EL PRODUCTO



- A. Soporte**
- B. Perilla del soporte**
- C. Asa**
- D. Tanque**
- E. Salida de humo**
- F. Esponja**
- G. Pantalla LCD**
- H. Teclas del panel de control**

- I. Entrada DMX XLR-3**
- J. Salida DMX XLR-3**
- K. Conector del control remoto**
- L. Fusible**
- M. Entrada de potencia**
- N. Pata**
- O. Presilla para cable de seguridad**

4. CARACTERÍSTICAS

- Salida de humo constante, seco y estable de 5-100%.
 - Salida de humo regulable de 0-100%. Equipo apto para cualquier locación.
 - Ajuste de velocidad del ventilador 5-100%. Gracias a su ventilador silencioso y eficiente, el humo se esparce inadvertidamente. Efecto haze de alta calidad con control de velocidad del ventilador que disemina el humo rápidamente en los ambientes.
 - Tiempo de precalentado de solo 75 segundos. Mucho más veloz que otros equipos del mercado.
 - Modos DMX de 2 canales para operar la unidad a través de un controlador DMX.
 - Sistema multifunción de control incorporado.
- Temporizador incorporado y control manual de emisión y emisión continua.
 - Steam F700 viene con salida de humo regulable.
 - Función autolimpiante: Automáticamente elimina el líquido restante del tubo luego de 30 segundos de inactividad.
 - Suministro de líquido acelerado: Utilice esta función en el modo de emisión manual para ahorrar tiempo.
 - Pantalla LCD de fácil comprensión y diseño inteligente de software.
 - Equipo de alta resistencia. Capaz de resistir largas jornadas de operación.

5. ANTES DE COMENZAR

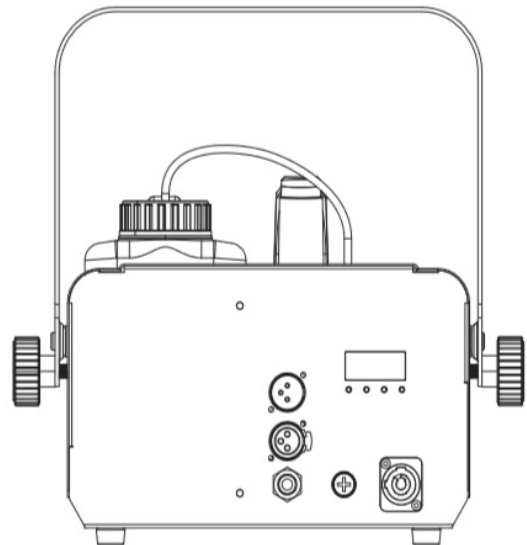
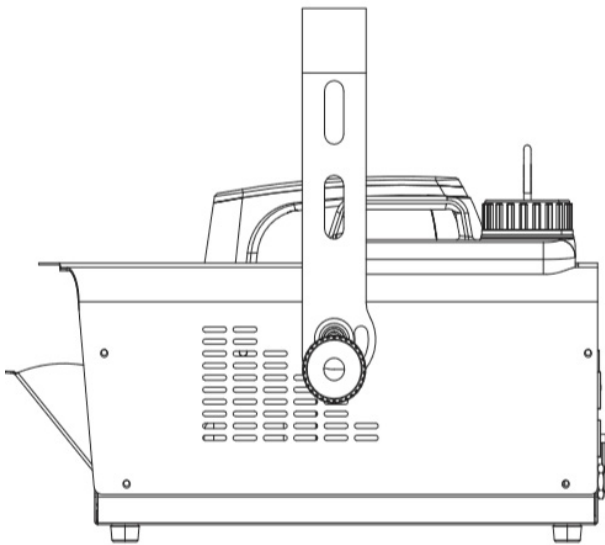
El equipo fue entregado en perfectas condiciones. Revise detenidamente que el producto no se haya dañado durante el envío. En caso de que encuentre daños , pónganse en contacto con el distribuidor.

Contenido:

- 1 Steam F700
- 1 Manual del usuario

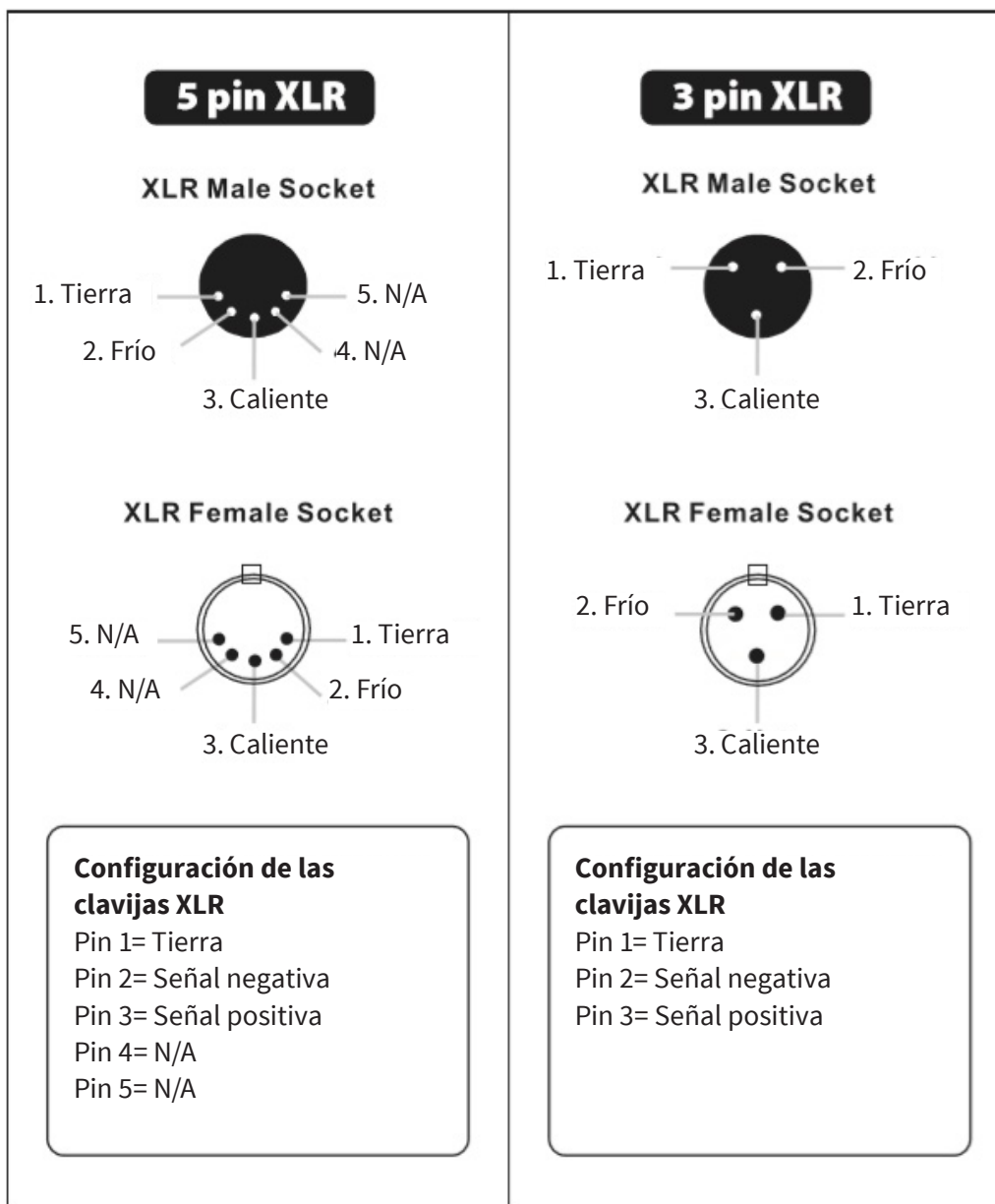
6. INSTALACIÓN

1. Abra el equipo con cuidado y revise que todas las piezas se encuentren presentes y en buen estado.
2. Verifique que no hayan quedado cubiertas plásticas o de goma espuma en la salida de humo.
3. Ubique el equipo sobre una superficie seca y plana.
4. Coloque el tubo de alimentación con filtro dentro del tanque (figura 1-D). Introduzca el líquido de humo en el tanque.
5. Conecte el cable de alimentación al suministro eléctrico. Aguarde aproximadamente 75 segundos de precalentamiento.
6. Utilice la pantalla LCD, un controlador DMX o el control remoto (previamente conectado a la entrada correspondiente. Ver figura 1-K) para operar el equipo.
7. Refiérase al apéndice A para obtener más detalles de funcionamiento.

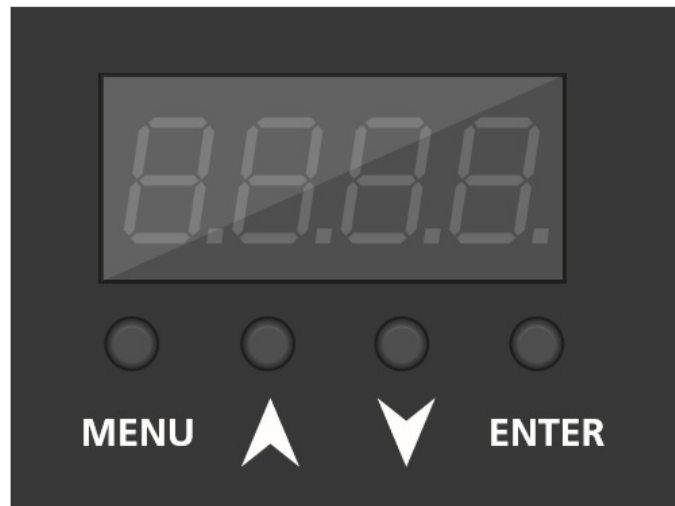


7. CONEXIÓN DMX

Admite conectores XLR-3 y XLR-5 para la conexión DMX. A continuación encontrará información adicional sobre la conexión y la asignación de las clavijas.



8. FUNCTIONS OF THE BUTTONS



MENU: Utilice esta tecla para seleccionar las funciones. Luego modifique los valores con las teclas de desplazamiento hacia arriba y abajo.

- A.xxx: Configuración de la dirección DMX. Rango de valores: 001-512. Presione la tecla arriba/abajo 1,5 segundos para que los valores corran velozmente. Presione la tecla arriba/abajo en simultáneo para que el valor vuelva a 1.
- P.xxx: Configuración de la emisión programada y la emisión continua (5-100%).
- F.xxx: Configuración de la velocidad de la emisión programada y la emisión continua (5-100%). t.oFF/t. on: Encendido/apagado del temporizador a través de las teclas hacia arriba y abajo.
- d.xxx: Configuración de la duración en la emisión programada (3-250 segundos).
- i.xxx: Configuración de los intervalos en la emisión programada (5-250 segundos).

Tecla arriba: Incrementa el valor numérico.

Tecla abajo: Incrementa el valor numérico.

ENTER: Tecla de encendido/apagado de la emisión

de humo.

Función autolimpiante: Automáticamente elimina el líquido restante del tubo luego de 30 segundos de inactividad.

Los valores establecidos se guardan automáticamente.

OBSERVACIÓN Para reducir la posibilidad de humedad en la boquilla, el software detectará automáticamente el valor de humo y de viento para regularlos apropiadamente. Sin importar el modo (DMX o panel de control), cuando se regule el valor de humo a 100%, el software ajustará el valor de viento a 30% automáticamente (incluso si se configuró en 5%). A su vez, cuando se regule el valor de viento a 5%, el software reducirá el valor de humo a 50% automáticamente. Este sistema ayuda a prevenir que se humedezca la boquilla al haber poco viento y demasiado humo. Valor de humo: Volumen. Valor de viento: Ventilador.

9. INSTRUCCIONES DE USO

1. Conecte el cable de alimentación al suministro eléctrico.
2. “u.X.X” Pantalla de encendido.
3. Luego de 1 segundo, se indica la versión actual del software
4. “HEAT” Luego de 2 segundos comienza el precalentado.
5. Espere aproximadamente 75 segundos de precalentamiento.
6. “idLE” Una vez precalentado el equipo, en la pantalla se verá el modo de espera (idle).
7. Luego de precalentado el equipo, seleccione el modo de operación deseado.

Emisión manual y continua de humo

1. “idLE” Una vez precalentado el equipo, en la pantalla se verá el modo de espera (idle).
2. Presione ENTER para iniciar la emisión de humo.
3. En este modo podrá regular los valores de volumen y ventilador.
4. “P.xxx” Presione las teclas hacia arriba o abajo para regular el valor de volumen (5-100%).
5. Presione START/STOP para alternar entre volumen y ventilador
6. “F.xxx” Presione las teclas hacia arriba o abajo para regular el valor Ventilador (5-100%).
7. Presione ENTER para detener la emisión de humo.
8. “cLn_” automáticamente elimina el líquido restante del tubo luego de 30 segundos de inactividad.
9. “idLE” Una vez finalizada la función autolimpiantes, la unidad regresará al modo de espera.

El usuario podrá operar la unidad incluso bajo los estados IDLE y CLN_. Presione MENU para configurar los valores deseados.

Emisión programada de humo

1. “idLE” Una vez precalentado el equipo, en la pantalla se verá el modo de espera.
2. Presione MENU para acceder a los ajustes del temporizador.
3. “t.oFF” o “t. ON” Presione las teclas hacia arriba o abajo para encender o apagar el temporizador.
4. Presione MENU para alternar entre duración e intervalo.
5. “d.xxx” Presione las teclas hacia arriba o abajo para regular el valor de la duración (3-250s).
6. “i.xxx” Presione las teclas hacia arriba o abajo para regular el valor de intervalo (5-250s).
7. Presione ENTER para iniciar la emisión programada.
8. Presione nuevamente ENTER para detener la emisión programada.
9. “cLn_” Automáticamente elimina el líquido restante del tubo luego de 30 segundos de inactividad.
10. “idLE” 10. Una vez finalizada la función autolimpiantes, la unidad regresará al modo de espera.

El usuario podrá operar la unidad incluso bajo los estados IDLE y CLN_. Presione MENU para configurar los valores deseados.

Otras funciones

Bajo idLE o cLn_. presione MENU para configurar los valores deseados:

1. “t.oFF” / “t. on” Encendido/apagado del temporizador.
2. “d.xxx” Temporizador incorporado. Duración de emisión 3-250s
3. “i.xxx” Temporizador incorporado. Duración de intervalo 5-250s.

4. "A.xxx" Dirección DMX 1-512 (presione las teclas hacia arriba/abajo para configurar).

Para items 1, 2, 3: Presione las teclas arriba o abajo para configurar. Luego de 4 segundos de inactividad la unidad volverá a los modos IDLE o CLN_.

Uso del control remoto

Con el fin de obtener mejores resultados, utilice un controlador de volumen regulable VT-1.

1. Conecte el control remoto al conector correspondiente (figura 1-K).
2. La emisión operada a través del panel de control dejará de funcionar en este momento. Comenzará a funcionar la emisión a través del controlador VT-1.
3. Refiérase al apéndice A para obtener más detalles de funcionamiento.

VT-1 solo regula el nivel de volumen. El ventilador sigue funcionando a través del panel de control. Presione las teclas hacia arriba/abajo para regular el ventilador (F.xxx). Luego de 2 segundos de inactividad, la unidad volverá al modo P.xxx. Presione MENU para verificar el valor del ventilador (F.xxx). Luego de 2 segundos de inactividad, la unidad volverá al modo P.xxx.

Modo DMX

1. Conecte el cable DMX del controlador DMX en la entrada (figura 1-I) del equipo. Verifique que la polaridad del cable de señal sea la correcta. Cuando el conector DMX recibe señal, el equipo activará el modo DMX automáticamente y anulará el resto de las funciones incorporadas.
2. Para realizar configuraciones similares con dos unidades DMX, refiérase al cuadro de canales DMX en la figura 2.
3. Alterna entre volumen P.xxx / ventilador F.xxx cada 3 segundos.
4. "A.xxx" Presione MENU para ver la dirección DMX actual. Presione las teclas arriba/abajo

para configurar la dirección.

5. Luego de 3 segundos de inactividad, la unidad volverá a alternar entre volumen / ventilador.
6. "P.xxx" Indica el valor actual de volumen controlado vía DMX.
7. "F.xxx" Indica el valor actual de ventilador controlado vía DMX.
8. Si desea conectar otra máquina de faze: Conecte el extremo de un cable de señal en la salida (figura 1-J) de la primera unidad Steam F700. Luego conecte el otro extremo del cable en la entrada (figura 1-I) de la segunda Steam F700. Reitere este paso si precisa conectar más máquinas. Es posible conectarlas en cadena si así lo desea.
9. Para realizar configuraciones similares, refiérase al cuadro de canales DMX en la figura. Ahora ya puede operar su Steam F700 a través de un controlador DMX.

El usuario podrá operar la unidad incluso bajo los estados IDLE y CLN_. Presione MENU para configurar los valores deseados.

OBSERVACIÓN

Para reducir la posibilidad de humedad en la boquilla, el software detectará automáticamente el valor de humo y de viento para regularlos apropiadamente. Sin importar el modo (DMX o panel de control), cuando se regule el valor de humo a 100%, el software ajustará el valor de viento a 30% automáticamente (incluso si se configuró en 5%). A su vez, cuando se regule el valor de viento a 5%, el software reducirá el valor de humo a 50% automáticamente. Este sistema ayuda a prevenir que se humedezca la boquilla al haber poco viento y demasiado humo.

Valor de humo: Volumen. Valor de viento: Ventilador.

10. CUADRO DE CANALES

2 canales

CH1	CH2
Volumen (P.xxx)	Ventilador (F.xxx)
5-255 5%-100%	16-255 6%-100%
0-4 apagado	0-15 5%

11. RESOLUCIÓN DE PROBLEMAS

Esta guía le permitirá al usuario resolver problemas simples. En caso de surgir algún inconveniente con la unidad, siga los pasos descritos a continuación hasta lograr resolverlo. Una vez solucionado el inconveniente, no es necesario continuar con los pasos restantes. Si el equipo continua con inconvenientes, póngase en contacto con el servicio técnico autorizado.

12. LA UNIDAD ESTÁ CONECTADA, PERO NO HAY EMISIÓN DE HUMO

1. Verifique el suministro eléctrico. Conecte la unidad a una fuente de alimentación con toma a tierra y el rango de voltaje correspondiente.
2. Desconecte la unidad del suministro eléctrico. Reemplace el fusible por uno del mismo tipo y rango.
3. Verifique que la unidad cuente con suficiente líquido de humo en el tanque.
4. Verifique que la bomba funcione correctamente (con o sin líquido).
5. Verifique que el calentador funcione correctamente (toque el panel para corroborar si calienta).
6. Verifique la conexión del controlador.
7. Verifique la configuración de la dirección DMX.

13. LA EMISIÓN DE HUMO ES IRREGULAR

Si detecta ruidos, emisión de humo deficiente o intermitente, desconecte el equipo del suministro eléctrico de inmediato. Verifique que el líquido fluya normalmente. De lo contrario, desconecte la unidad y vuelva a conectarla. Si todo lo anterior falla, apague la unidad para evitar daños. Déjela enfriar y llévela al servicio técnico autorizado. Absténgase de abrirla o invalidará la garantía.

14. OTRAS SITUACIONES ANÓMALAS

- “Erro” Este mensaje titilante indica sobrecalentamiento del calentador o un corte en el termosensor.
- “noHt” Este mensaje titilante indica una falla de calentamiento.
- “noFL” Este mensaje titilante indica insuficiencia de líquido. En ese momento, la velocidad del ventilador se reducirá al mínimo y la bomba dejará de funcionar.

15. MANTENIMIENTO

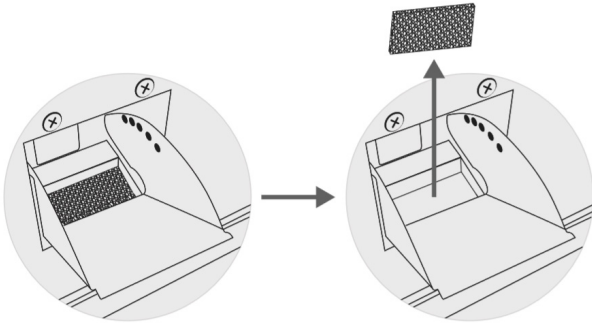
Desconecte la unidad del suministro eléctrico y aguarde que se enfríe antes de realizar cualquier tarea de mantenimiento. Un profesional calificado debe realizar el mantenimiento de la unidad.

- No permita que se ensucie el líquido de humo.

Asegúrese de limpiar y sustituir las tapas del tubo. Vuelva a colocarlas de inmediato para evitar que ingresen partículas indeseadas.

- Es posible que la esponja de la salida de humo acumule aceite. Procure limpiarla o reemplazarla de ser necesario.
- Verifique que no haya pérdidas de aceite en

los conectores del tubo, la bomba y el calentador. Si detecta una pérdida, utilice una herramienta para asegurar firmemente los conectores.



- Mantenga la placa de PC limpia y en buen estado. Si detecta aceite, extraiga la placa y límpie-

la de ambos lados con alcohol diluido. Déjala secar bien y luego vuelva a colocarla. Compruebe la correcta conexión de todos los cables.

- Utilice un paño seco para limpiar la cubierta de la unidad.

OBSERVACIÓN Antes de apagar la unidad, asegúrese de que haya finalizado por completo la emisión de humo y la función autolimpiante (30 segundos). Luego desconéctela. Verifique que el líquido del tubo se haya evaporado para evitar emisiones intermitentes al volver a encender la unidad. Estas medidas pueden ayudar a prolongar la vida útil del equipo.

16. APÉNDICE

Controlador de volumen regulable:

Steam F700 está diseñado con un controlador de volumen regulable.

1. Conecte el VT -1 al conector correspondiente (figura 1-K) del Steam F700. A continuación se encenderá el LED rojo del VT-1.
2. En la pantalla verá P.xxx. El control de emisión a través del panel de control se desactivará y se activará para el VT-1.



A-Conector estéreo de 1/4" B- Perilla
C- LED verde (humo) D- LED rojo (encendido)

3. Una vez finalizado el precalentamiento, el led verde del VT-1 se encenderá y estará listo para comenzar la emisión ajustando una perilla.
4. VT-1 cuenta con una perilla de regulación con opción de encendido/apagado. Gírela hacia la derecha para incrementar el volumen de humo o hacia la izquierda para disminuirlo. Si desea detener la emisión, gire la perilla hacia la izquierda hasta que haga tope. En la pantalla verá cLn_. (comienzo de función autolimpiante) y P. O (limpieza finalizada).

VT-1 solo regula el nivel de volumen. El ventilador sigue funcionando a través del panel de control. Presione las teclas hacia arriba/abajo para regular el ventilador. Luego de 2 segundos de inactividad, la unidad volverá al modo P.xxx. . Presione MENU para ver el valor del ventilador. Luego de 2 segundos de inactividad, la unidad volverá al modo.

Observación: El proveedor no asumirá responsabilidad por los errores u omisiones del manual. La información de este manual está sujeta a cambios sin previo aviso.



www.amproweb.com



facebook.com/amprogroup



youtube.com/amprogroup