

ZOOM PANEL

PROFESSIONAL LED HIGH-POWER WASHER



USER MANUAL / MANUAL DE USUARIO

PLEASE READ THE INSTRUCTIONS CAREFULLY BEFORE USE
POR FAVOR LEA LAS INSTRUCCIONES ANTES DE USAR



1. Overview

Zoom Panel

Professional LED high-power washer - 27 x 4-in-1 15W LEDs

Zoom Panel is a high performance indoor professional flood powered by 27 x 4-in-1 15W LEDs. Thanks to its variable 10°-30° zoom, this fixture offers diverse application options, going from a razor beam to a wide coverage washer. Thanks to its quad-color LED technology, Zoom Panel enables a smooth RGBW mix with no multicolor shadows. This unit also sports a high light intensity, making it an ideal option for concerts, theaters and tv studios.

Source & Optics

- Light Source: 27 x 4-in-1 15W Osram LEDs
- Beam angle: 10°-30°

Photometric data

- Luminous Flux: 20029lux @ 2m (6.5ft)

Effects & Functions

- 16.7 million additive RGB colors with full saturation control
- Strobe effect: 0-20Hz
- Dimmer: 0-100%

Control

- DMX Channels: 12/3/4/5/6/7/9/12/17/33

Physical

- Connectors: DMX in/out, Power in/out
- IP Rating: IP66
- Housing: Die-casting aluminum
- Dimensions: 498x200x256 mm.
- Weight: 11 Kg.

1.1 Safety warning

Important:

- This product must be installed by a qualified professional.
- All maintenance must be carried out by a qualified electrician.
- A minimum distance of 0.5m must be maintained between the equipment and a combustible surface.
- The product must always be operated in a well ventilated area.
- DO NOT stare directly into the LED light source.
- Always disconnect the power before carrying out maintenance.
- The earth must always be connected to the ground.
- Ensure that all parts of the equipment are kept clean and free of dust.
- A minimum distance of 0.8m must be maintained between the light and the projecting surface.

2. Installation

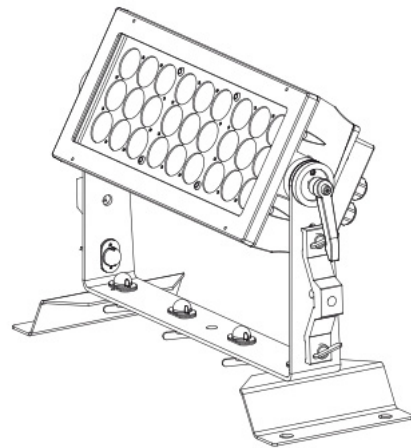
2.1 Mounting

HANGING

The fixture can be mounted in a hanging position using the supporting bracket. The bracket should be secured to the mounting truss or structure using a standard mounting clamp. Please note that when hanging the unit a safety cable should also be used.

UPRIGHT

The fixture can be mounted in an upright or sitting position using the supporting brackets.



2.2 Power connections

@220V: 6 units may be connected in series

@110V: 3 units may be connected in series

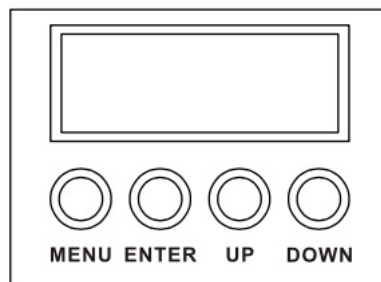
NOTE

If the signal cable is over 60m between the DMX512 controller and fixture or between two fixtures, then a DMX signal amplifier is needed as well.

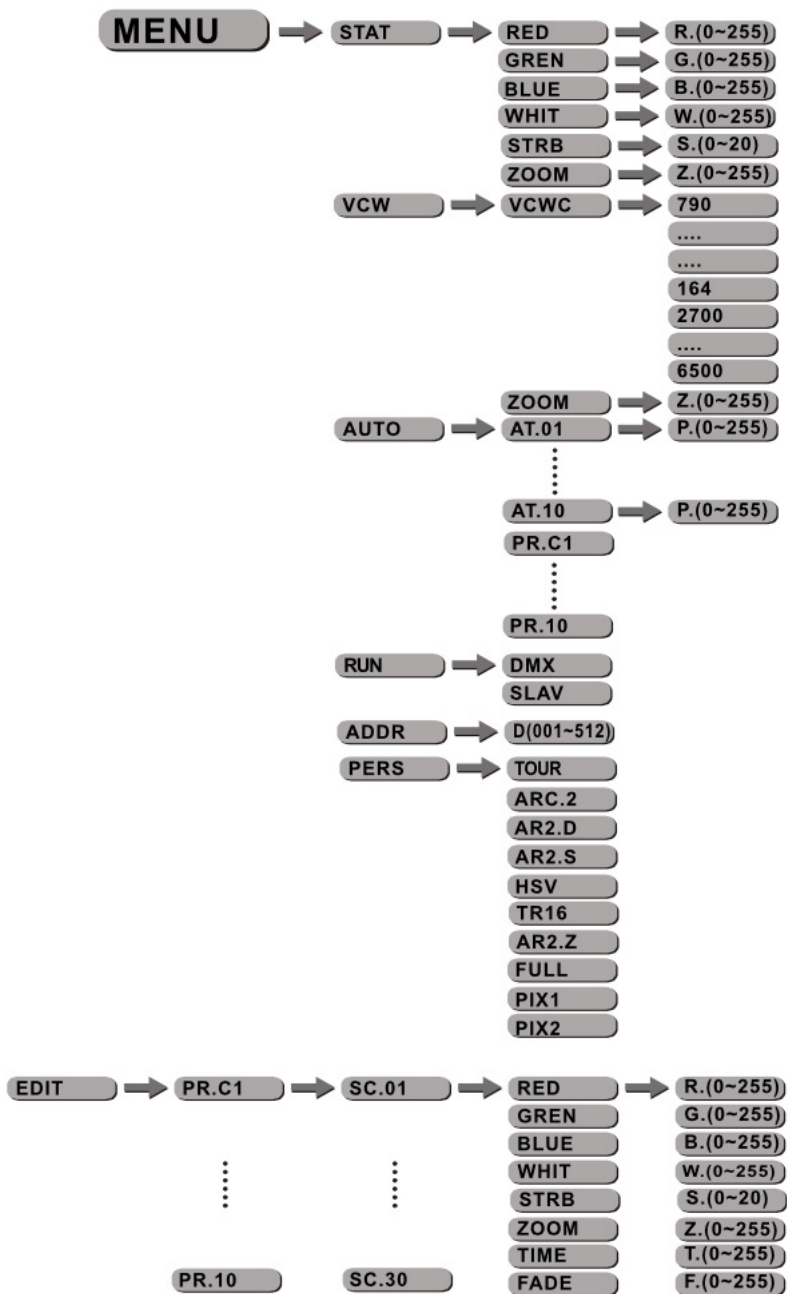
3. Display panel operation

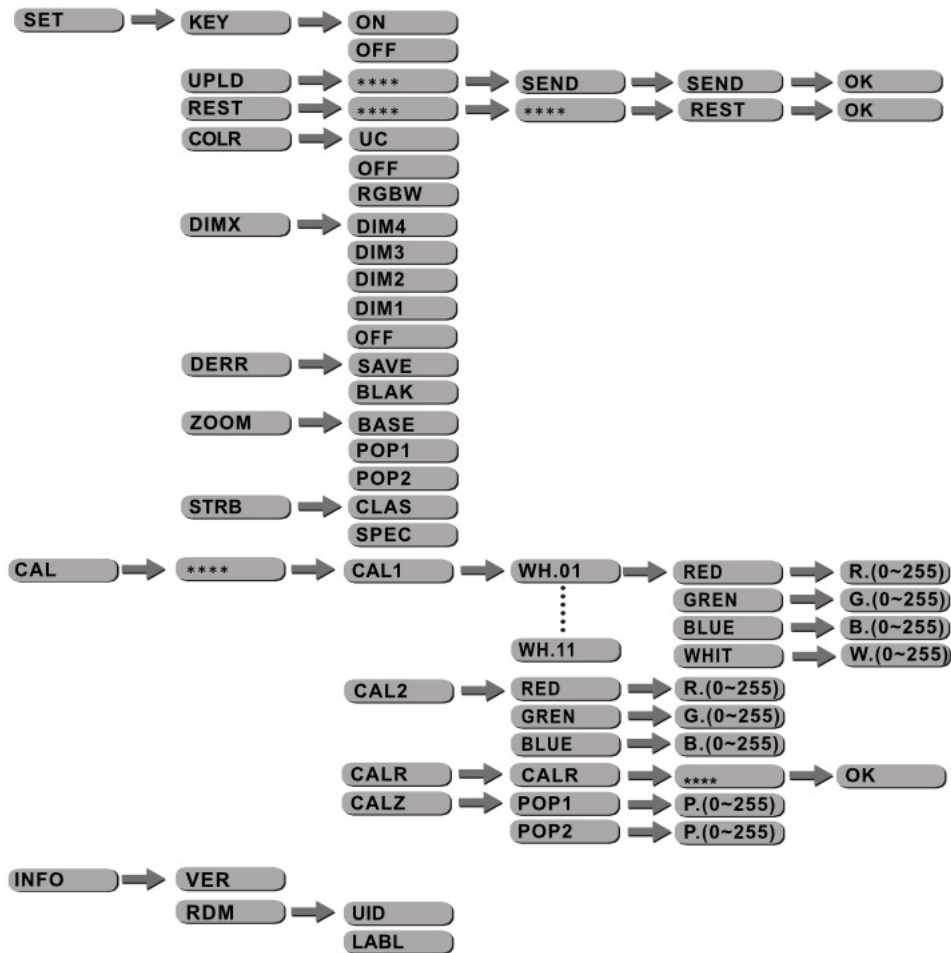
3.1 Display operation

MENU: BACK:
 ENTER: ENTER OR SAVE:
 DOWN: DOWN:
 UP: UP:



3.2 Menu map



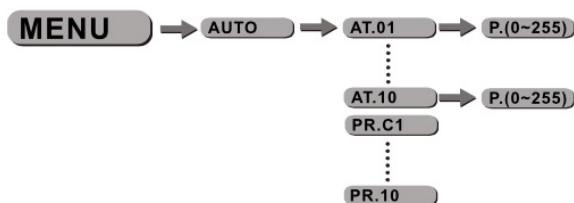


3.3 Edit colour



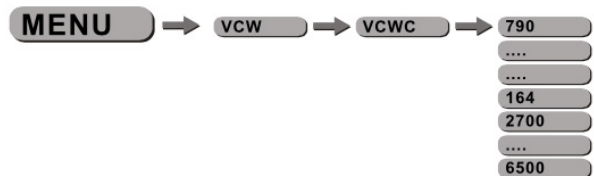
- Combine [Red], [Green],[Blue] and [White] to create
- an infinite range of colors (0-255)
- Set the value of the [Stros] (0-20Hz), [ZOOM] (0-255)

3.4 Activating auto programs



- Select the target [AUTO] program and press [ENTER].
- Programs [AT.01] to [AT.10] mode.
- Programs [PR.01] to [PR.10] are fully pre-programmed and can be edited in [EDIT] mode.

3.5 Mix-color setting



- Select [ENTER] UP/DOMN from the [VCW] menu choose different color mixture

3.6 Run mode



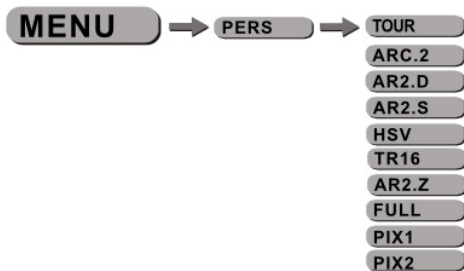
- Enter the [RUN] mode to set working mode.
- [DMX] is for using the DMX512 controller the fixtures.
- [SLAV] mode is for Master - Slave operation.

3.7 DMX512 settings



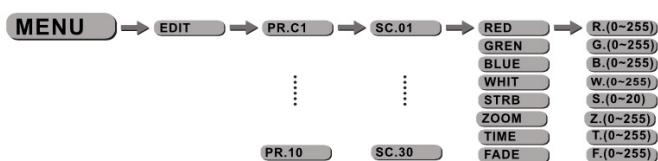
- Enter the [ADDR] mode to set the DMX ADDRESS.

3.8 Personality



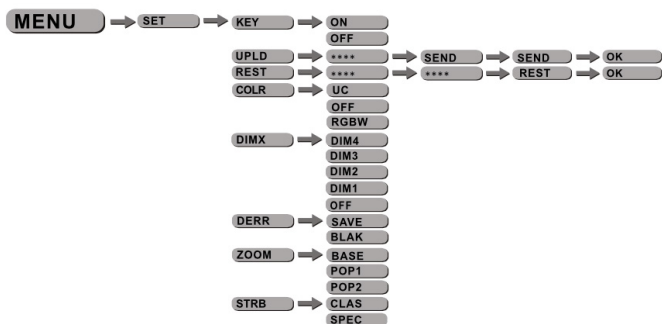
- Enter the [PERSONALITY] mode to select DMX mode: [TOUR], [ARC.2] [AR2.D], [AR2.S]
- [HSV], [TR16], [AR2.Z], [FULL], [P|X1], [P|X2].

3.9 Editing custom programs



- Enter the [EDIT] mode to edit the custom programs [PR.01] to [PR.10]
- Each custom program has 30 steps that can be edited.
- Each step allows the creation of a scene using RED [Red], GREEN [Green], BLUE
- [Blue], WHITE [White], ZOOM [Zoom], STRB [Strb], TIME [Time] & FADE [Fade]

3.10 Special settings



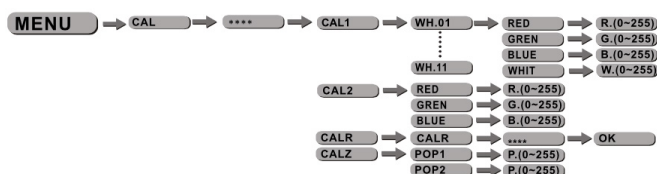
- [SET]...this menu allows the user to adjust key operation settings for this fixture.
- [KEY]...select [ON] for automatic lock-out. Password to re-enter the display is <UP> + <DOWN> + <UP> + <DOWN>.
- Select [UPLD] to upload the custom programs from the current MASTER unit to the SLAVE units.
- In order to reset custom modes to default values select [REST].
- [COLOR] is for activate/unactivate the color calibra-

tion functions. When [RGBW] is selected, on RGB = 255,255,255, the color is displayed as calibrated in CAL2 -- RGBW.

- When [COLR] is set [OFF], on RGB = 255,255,255, the RGB values are not adjusted and the output is most powerful. When [UC] is selected, the RGB output are adjusted to a standard preset universal color which balances fixtures from different generations.
- Select [DIM1], [DIM2],[DIM3] or [DIM4] for different dimming speeds. ([DIM4] is the slowest dimming speed)
- [DERR] Choose [Save] in order to save the last DMX data incase of DMX signal error. Choose [Black] in order to blackout in case of DMX signal error.
- [ZOOM] Calibrate the position of POS1&POS2. Set position as 0 for smallest zoom position. Select BASE for default zoom position (zoom=0)
- [STRB] This fixture allows for two different strobe personality settings, [CLAS] strobe2 or [SPEC] strobe1. The [STRB] settings are only valid in the DMX personalities [TOUR], [AR2.S] and [TR16]

3.11 Balance parameters and correction menu display

Press [MENU] button to enter the password confirmation, to enter the correct password <UP + DOWN + UP + DOWN > Key, press the [MENU] in, the correct password will enter show submenu.



- Enter the [CAL1] to select white color of different color temperature.
- There are 11 pre-programmed White colors can be edited by using [Red], [Green], [Blue] & [White].
- Enter the [CAL2] to adjust the RGB parameter to make different whites.
- When the new settings is activated, the DMX controller choose RGB =255,255,255 the white color will be made by the actual RGB values on the [CAL2].

3.12 Information of the fixture (info)



- Push [enter] to enter the [INFO] check the information of the fixture, [VER] to choose version of software
- Choose [RDM] information, push [DOWN] / [UP] to choose [UID] the ID number of fixtures, [LABL] Identification of fixture

4. Using a DMX512 controller

4.1 Channel assignment

NOTE: This product has eleven DMX512 channel configurations:

TOUR/ARC2/AR2,D/AR2,S/HSV/TR16/AR2,Z/FULL/P|X,1/P|X,2

TOUR

CHANNEL	VALUE	FUNCTION
1	0 ↔ 255	MASTER DIMMER
2	0 ↔ 255	RED (or STEP TIME when CUS.01-CUS.10 in CH9 is activated)
3	0 ↔ 255	GREEN (or FADE TIME when CUS.01-CUS.10 in CH9 is activated)
4	0 ↔ 255	BLUE
5	0 ↔ 255	WHITE
6		VCW
	0 ↔ 5	NO FUNCTION
	6 ↔ 10	Moroccan Pink (790)
	11 ↔ 15	Pink (157)
	16 ↔ 20	Special rose Pink (332)
	21 ↔ 25	Follies Pink (328)
	26 ↔ 30	Fuchsia Pink (345)
	31 ↔ 35	Surprise Pink (194)
	36 ↔ 40	Congo Blue (181)
	41 ↔ 45	Tokyo Blue (071)
	46 ↔ 50	Deep Blue (120)
	51 ↔ 55	Just Blue (079)
	56 ↔ 60	Medium Blue (132)
	61 ↔ 65	Double CT Blue (200)
	66 ↔ 70	State Blue (161)
	71 ↔ 75	Full CT Blue (201)
	76 ↔ 80	Half CT Blue (202)
	81 ↔ 85	Steel Blue (117)
	86 ↔ 90	Lighter Blue (353)
	91 ↔ 95	Light Blue (118)
96 ↔ 100	Medium Blue Green (116)	
101 ↔ 105	Dark Green (124)	
106 ↔ 110	Primary Green (139)	
111 ↔ 115	Moss Green (089)	

CHANNEL	VALUE	FUNCTION
6	116 ↔ 120	Fern Green (122)
	121 ↔ 125	JAS Green (738)
	126 ↔ 130	Lime Green (088)
	131 ↔ 135	Spring Yellow (100)
	136 ↔ 140	Deep Amber (104)
	141 ↔ 145	Chrome Orange (179)
	146 ↔ 150	Orange (105)
	151 ↔ 155	Gold Amber (021)
	156 ↔ 160	Millennium Gold (778)
	161 ↔ 165	Deep Golden Amber (135)
	166 ↔ 170	Flame Red (164)
	171 ↔ 175	WHITE1: 2700K
	186 ↔ 200	WHITE2: 3200K
	201 ↔ 215	WHITE3: 4000K
	216 ↔ 230	WHITE4: 5600K
	231 ↔ 245	WHITE5: 6000K
246 ↔ 255	WHITE6: 6500K	
7		COLOR MACRO & WHITE
	0 ↔ 10	NO FUNCTION
	11 ↔ 30	RED 100% / GREEN UP / BLUE 0%
	31 ↔ 50	RED DOWN / GREEN 100% / BLUE 0%
	51 ↔ 70	RED 0% / GREEN 100% / BLUE UP
	71 ↔ 90	RED 0% / GREEN DOWN / BLUE 100%
	91 ↔ 110	RED UP / GREEN 0% / BLUE 100%
	111 ↔ 130	RED 100% / GREEN 0% / BLUE DOWN
	131 ↔ 150	RED 100% / GREEN UP / BLUE UP
	151 ↔ 170	RED DOWN / GREEN DOWN / BLUE 100%
	171 ↔ 200	ALL LED AT FULL OUTPUT
	201 ↔ 205	WHITE1: 3200K
	206 ↔ 210	WHITE2: 3400K
	211 ↔ 215	WHITE3: 4200K
	216 ↔ 220	WHITE4: 4900K
	221 ↔ 225	WHITE5: 5600K
	226 ↔ 230	WHITE6: 5900K
	231 ↔ 235	WHITE7: 6500K
	236 ↔ 240	WHITE8: 7200K
	241 ↔ 245	WHITE9: 8000K
246 ↔ 250	WHITE10: 8500K	
251 ↔ 255	WHITE11: 10000K	

CHANNEL	VALUE	FUNCTION
8		SPECIAL STROBE
	0 ↔ 9	No strobe
	10 ↔ 99	Strobe (slow to fast)
	100 ↔ 109	No strobe
	110 ↔ 179	Lightning strobe (slow to fast)
	180 ↔ 189	No strobe
	190 ↔ 255	Random strobe (slow to fast)
		STROBE 2
	0 ↔ 9	NO FUNCTION
	10 ↔ 255	1~20Hz
9		AUTO
	0 ↔ 40	NO FUNCTION
	41 ↔ 50	AUTO01
	51 ↔ 60	AUTO02
	61 ↔ 70	AUTO03
	71 ↔ 80	AUTO04
	81 ↔ 90	AUTO05
	91 ↔ 100	AUTO06
	101 ↔ 110	AUTO07
	111 ↔ 120	AUTO08
	121 ↔ 130	AUTO09
	131 ↔ 140	AUTO10
	141 ↔ 150	CUSTOM01
	151 ↔ 160	CUSTOM02
	161 ↔ 170	CUSTOM03
	171 ↔ 180	CUSTOM04
	181 ↔ 190	CUSTOM05
	191 ↔ 200	CUSTOM06
	201 ↔ 210	CUSTOM07
	211 ↔ 220	CUSTOM08
221 ↔ 230	CUSTOM09	
231 ↔ 255	CUSTOM10	
10		AUTO SPEED
	0 ↔ 255	Since the walking speed (slow to fast)
11		DIMMER SPEED
	0 ↔ 9	RETURN SETTINGS
	10 ↔ 29	NORMAL
	30 ↔ 69	DIM 1
	70 ↔ 129	DIM 2
	130 ↔ 189	DIM 3
	190 ↔ 255	DIM 4

CHANNEL	VALUE	FUNCTION
12		PIXEL SELECTION
	0 ↔ 9	PIX 1,2,3 (STATIC)
	10 ↔ 19	PIX 1 (STATIC)
	20 ↔ 29	PIX 2 (STATIC)
	30 ↔ 39	PIX 3 (STATIC)
	40 ↔ 49	PIX 1,2 (STATIC)
	50 ↔ 59	PIX 1,3(STATIC)
	60 ↔ 69	PIX 2,3 (STATIC)
	70 ↔ 79	PIX 1,2,3 (STATIC)
	80 ↔ 159	PIX 1,2,3 (STATIC)
	160 ↔ 179	CHASE LEFT-TO-RIGHT (SLOW TO FAST)
	180 ↔ 199	CHASE RIGHT-TO-LEFT (SLOW TO FAST)
	200 ↔ 219	CHASE LEFT-RIGHT-LEFT (SLOW TO FAST)
	200 ↔ 239	RANDON (SLOW TO FAST)
	240 ↔ 255	PIX 1,2,3 (STATIC)
13	0 ↔ 255	ZOOM
14	000 ↔ 200	NO FUNCTION
	201 ↔ 220	ZOOM RESET
	221 ↔ 255	NO FUNCTION

ARC2

CHANNEL	VALUE	FUNCTION
1	0 ↔ 255	RED
2	0 ↔ 255	GREEN
3	0 ↔ 255	BLUE
4	0 ↔ 255	WHITE
5		VCW
	0 ↔ 5	NO FUNCTION
	6 ↔ 10	Moroccan Pink (790)
	11 ↔ 15	Pink (157)
	16 ↔ 20	Special rose Pink (332)
	21 ↔ 25	Follies Pink (328)
	26 ↔ 30	Fuchsia Pink (345)
	31 ↔ 35	Surprise Pink (194)
	36 ↔ 40	Congo Blue (181)
	41 ↔ 45	Tokyo Blue (071)
	46 ↔ 50	Deep Blue (120)
	51 ↔ 55	Just Blue (079)
	56 ↔ 60	Medium Blue (132)
	61 ↔ 65	Double CT Blue (200)

CHANNEL	VALUE	FUNCTION
5	66 ↔ 70	State Blue (161)
	71 ↔ 75	Full CT Blue (201)
	76 ↔ 80	Half CT Blue (202)
	81 ↔ 85	Steel Blue (117)
	86 ↔ 90	Lighter Blue (353)
	91 ↔ 95	Light Blue (118)
	96 ↔ 100	Medium Blue Green (116)
	101 ↔ 105	Dark Green (124)
	106 ↔ 110	Primary Green (139)
	111 ↔ 115	Moss Gree (089)
	116 ↔ 120	Fern Green (122)
	121 ↔ 125	JAS Green (738)
	126 ↔ 130	Lime Green (088)
	131 ↔ 135	Spring Yellow (100)
	136 ↔ 140	Deep Amber (104)
	141 ↔ 145	Chrome Orange (179)
	146 ↔ 150	Orange (105)
	151 ↔ 155	Gold Amber (021)
	156 ↔ 160	Millennium Gold (778)
	161 ↔ 165	Deep Golden Amber (135)
	166 ↔ 170	Flame Red (164)
	171 ↔ 175	WHITE1: 2700K
	186 ↔ 200	WHITE2: 3200K
	201 ↔ 215	WHITE3: 4000K
216 ↔ 230	WHITE4: 5600K	
231 ↔ 245	WHITE5: 6000K	
246 ↔ 255	WHITE6: 6500K	

AR2.D

CHANNEL	VALUE	FUNCTION
1	0 ↔ 255	DIMMER
2	0 ↔ 255	RED
3	0 ↔ 255	GREEN
4	0 ↔ 255	BLUE
5	0 ↔ 255	WHITE

CHANNEL	VALUE	FUNCTION
6		VCW
	0 ↔ 5	NO FUNCTION
	6 ↔ 10	Moroccan Pink (790)
	11 ↔ 15	Pink (157)
	16 ↔ 20	Special rose Pink (332)
	21 ↔ 25	Follies Pink (328)
	26 ↔ 30	Fuchsia Pink (345)
	31 ↔ 35	Surprise Pink (194)
	36 ↔ 40	Congo Blue (181)
	41 ↔ 45	Tokyo Blue (071)
	46 ↔ 50	Deep Blue (120)
	51 ↔ 55	Just Blue (079)
	56 ↔ 60	Medium Blue (132)
	61 ↔ 65	Double CT Blue (200)
	66 ↔ 70	State Blue (161)
	71 ↔ 75	Full CT Blue (201)
	76 ↔ 80	Half CT Blue (202)
	81 ↔ 85	Steel Blue (117)
	86 ↔ 90	Lighter Blue (353)
	91 ↔ 95	Light Blue (118)
	96 ↔ 100	Medium Blue Green (116)
	101 ↔ 105	Dark Green (124)
	106 ↔ 110	Primary Green (139)
	111 ↔ 115	Moss Gree (089)
	116 ↔ 120	Fern Green (122)
	121 ↔ 125	JAS Green (738)
	126 ↔ 130	Lime Green (088)
	131 ↔ 135	Spring Yellow (100)
	136 ↔ 140	Deep Amber (104)
	141 ↔ 145	Chrome Orange (179)
	146 ↔ 150	Orange (105)
	151 ↔ 155	Gold Amber (021)
156 ↔ 160	Millennium Gold (778)	
161 ↔ 165	Deep Golden Amber (135)	
166 ↔ 170	Flame Red (164)	
171 ↔ 175	WHITE1: 2700K	
186 ↔ 200	WHITE2: 3200K	
201 ↔ 215	WHITE3: 4000K	
216 ↔ 230	WHITE4: 5600K	
231 ↔ 245	WHITE5: 6000K	
246 ↔ 255	WHITE6: 6500K	

AR2.S

CHANNEL	VALUE	FUNCTION
1	0 ↔ 255	DIMMER
2	0 ↔ 255	RED
3	0 ↔ 255	GREEN
4	0 ↔ 255	BLUE
5	0 ↔ 255	WHITE
6		VCW
	0 ↔ 5	NO FUNCTION
	6 ↔ 10	Moroccan Pink (790)
	11 ↔ 15	Pink (157)
	16 ↔ 20	Special rose Pink (332)
	21 ↔ 25	Follies Pink (328)
	26 ↔ 30	Fuchsia Pink (345)
	31 ↔ 35	Surprise Pink (194)
	36 ↔ 40	Congo Blue (181)
	41 ↔ 45	Tokyo Blue (071)
	46 ↔ 50	Deep Blue (120)
	51 ↔ 55	Just Blue (079)
	56 ↔ 60	Medium Blue (132)
	61 ↔ 65	Double CT Blue (200)
	66 ↔ 70	State Blue (161)
	71 ↔ 75	Full CT Blue (201)
	76 ↔ 80	Half CT Blue (202)
	81 ↔ 85	Steel Blue (117)
	86 ↔ 90	Lighter Blue (353)
	91 ↔ 95	Light Blue (118)
	96 ↔ 100	Medium Blue Green (116)
	101 ↔ 105	Dark Green (124)
	106 ↔ 110	Primary Green (139)
	111 ↔ 115	Moss Gree (089)
	116 ↔ 120	Fern Green (122)
	121 ↔ 125	JAS Green (738)
	126 ↔ 130	Lime Green (088)
	131 ↔ 135	Spring Yellow (100)
	136 ↔ 140	Deep Amber (104)
	141 ↔ 145	Chrome Orange (179)
	146 ↔ 150	Orange (105)
	151 ↔ 155	Gold Amber (021)
156 ↔ 160	Millennium Gold (778)	
161 ↔ 165	Deep Golden Amber (135)	

CHANNEL	VALUE	FUNCTION
6	166 ↔ 170	Flame Red (164)
	171 ↔ 175	WHITE1: 2700K
	186 ↔ 200	WHITE2: 3200K
	201 ↔ 215	WHITE3: 4000K
	216 ↔ 230	WHITE4: 5600K
	231 ↔ 245	WHITE5: 6000K
	246 ↔ 255	WHITE6: 6500K
7		STROBE 2
	0 ↔ 9	NO FUNCTION
	10 ↔ 255	1~20Hz

HSV

CHANNEL	VALUE	FUNCTION
1	0 ↔ 255	HUE
2	0 ↔ 255	SATURATION
3	0 ↔ 255	VALUE
4		VCW
	0 ↔ 5	NO FUNCTION
	6 ↔ 10	Moroccan Pink (790)
	11 ↔ 15	Pink (157)
	16 ↔ 20	Special rose Pink (332)
	21 ↔ 25	Follies Pink (328)
	26 ↔ 30	Fuchsia Pink (345)
	31 ↔ 35	Surprise Pink (194)
	36 ↔ 40	Congo Blue (181)
	41 ↔ 45	Tokyo Blue (071)
	46 ↔ 50	Deep Blue (120)
	51 ↔ 55	Just Blue (079)
	56 ↔ 60	Medium Blue (132)
	61 ↔ 65	Double CT Blue (200)
	66 ↔ 70	State Blue (161)
	71 ↔ 75	Full CT Blue (201)
	76 ↔ 80	Half CT Blue (202)
	81 ↔ 85	Steel Blue (117)
	86 ↔ 90	Lighter Blue (353)
	91 ↔ 95	Light Blue (118)
96 ↔ 100	Medium Blue Green (116)	
101 ↔ 105	Dark Green (124)	
106 ↔ 110	Primary Green (139)	

CHANNEL	VALUE	FUNCTION
4	111 ↔ 115	Moss Gree (089)
	116 ↔ 120	Fern Green (122)
	121 ↔ 125	JAS Green (738)
	126 ↔ 130	Lime Green (088)
	131 ↔ 135	Spring Yellow (100)
	136 ↔ 140	Deep Amber (104)
	141 ↔ 145	Chrome Orange (179)
	146 ↔ 150	Orange (105)
	151 ↔ 155	Gold Amber (021)
	156 ↔ 160	Millennium Gold (778)
	161 ↔ 165	Deep Golden Amber (135)
	166 ↔ 170	Flame Red (164)
	171 ↔ 175	WHITE1: 2700K
	186 ↔ 200	WHITE2: 3200K
	201 ↔ 215	WHITE3: 4000K
	216 ↔ 230	WHITE4: 5600K
	231 ↔ 245	WHITE5: 6000K
	246 ↔ 255	WHITE6: 6500K

TR16

CHANNEL	VALUE	FUNCTION
1	0 ↔ 255	MASTER DIMMER
2	0 ↔ 255	MASTER DIMMER FINE (or STEP TIME when CUS.01-CUS.10 in CH14 is activated)
3	0 ↔ 255	RED (or FADE TIME when CUS.01-CUS.10 in CH14 is activated)
4	0 ↔ 255	RED FINE
5	0 ↔ 255	GREEN
6	0 ↔ 255	GREEN FINE
7	0 ↔ 255	BLUE
8	0 ↔ 255	BLUE FINE
9	0 ↔ 255	WHITE
10	0 ↔ 255	WHITE FINE
11		VCW
	0 ↔ 5	NO FUNCTION
	6 ↔ 10	Moroccan Pink (790)
	11 ↔ 15	Pink (157)
	16 ↔ 20	Special rose Pink (332)
	21 ↔ 25	Follies Pink (328)
	26 ↔ 30	Fuchsia Pink (345)
	31 ↔ 35	Surprise Pink (194)
	36 ↔ 40	Congo Blue (181)
	41 ↔ 45	Tokyo Blue (071)
	46 ↔ 50	Deep Blue (120)
	51 ↔ 55	Just Blue (079)
	56 ↔ 60	Medium Blue (132)
	61 ↔ 65	Double CT Blue (200)
	66 ↔ 70	State Blue (161)
	71 ↔ 75	Full CT Blue (201)
	76 ↔ 80	Half CT Blue (202)
	81 ↔ 85	Steel Blue (117)
	86 ↔ 90	Lighter Blue (353)
	91 ↔ 95	Light Blue (118)
96 ↔ 100	Medium Blue Green (116)	
101 ↔ 105	Dark Green (124)	
106 ↔ 110	Primary Green (139)	
111 ↔ 115	Moss Gree (089)	

CHANNEL	VALUE	FUNCTION
11	116 ↔ 120	Fern Green (122)
	121 ↔ 125	JAS Green (738)
	126 ↔ 130	Lime Green (088)
	131 ↔ 135	Spring Yellow (100)
	136 ↔ 140	Deep Amber (104)
	141 ↔ 145	Chrome Orange (179)
	146 ↔ 150	Orange (105)
	151 ↔ 155	Gold Amber (021)
	156 ↔ 160	Millennium Gold (778)
	161 ↔ 165	Deep Golden Amber (135)
	166 ↔ 170	Flame Red (164)
	171 ↔ 175	WHITE1: 2700K
	186 ↔ 200	WHITE2: 3200K
	201 ↔ 215	WHITE3: 4000K
	216 ↔ 230	WHITE4: 5600K
	231 ↔ 245	WHITE5: 6000K
246 ↔ 255	WHITE6: 6500K	
12		COLOR MACRO & WHITE
	0 ↔ 10	NO FUNCTION
	11 ↔ 30	RED 100% / GREEN UP / BLUE 0%
	31 ↔ 50	RED DOWN / GREEN 100% / BLUE 0%
	51 ↔ 70	RED 0% / GREEN 100% / BLUE UP
	71 ↔ 90	RED 0% / GREEN DOWN / BLUE 100%
	91 ↔ 110	RED UP / GREEN 0% / BLUE 100%
	111 ↔ 130	RED 100% / GREEN 0% / BLUE DOWN
	131 ↔ 150	RED 100% / GREEN UP / BLUE UP
	151 ↔ 170	RED DOWN / GREEN DOWN / BLUE 100%
	171 ↔ 200	ALL LED AT FULL OUTPUT
	201 ↔ 205	WHITE1: 3200K
	206 ↔ 210	WHITE2: 3400K
	211 ↔ 215	WHITE3: 4200K
	216 ↔ 220	WHITE4: 4900K
	221 ↔ 225	WHITE5: 5600K
	226 ↔ 230	WHITE6: 5900K
	231 ↔ 235	WHITE7: 6500K
	236 ↔ 240	WHITE8: 7200K
	241 ↔ 245	WHITE9: 8000K
246 ↔ 250	WHITE10: 8500K	
251 ↔ 255	WHITE11: 10000K	

CHANNEL	VALUE	FUNCTION
13		SPECIAL STROBE
	0 ↔ 9	No strobe
	10 ↔ 99	Strobe (slow to fast)
	100 ↔ 109	No strobe
	110 ↔ 179	Lightning strobe (slow to fast)
	180 ↔ 189	No strobe
	190 ↔ 255	Random strobe (slow to fast)
		STROBE 2
	0 ↔ 9	NO FUNCTION
	10 ↔ 255	1~20Hz
14		AUTO
	0 ↔ 40	NO FUNCTION
	41 ↔ 50	AUTO01
	51 ↔ 60	AUTO02
	61 ↔ 70	AUTO03
	71 ↔ 80	AUTO04
	81 ↔ 90	AUTO05
	91 ↔ 100	AUTO06
	101 ↔ 110	AUTO07
	111 ↔ 120	AUTO08
	121 ↔ 130	AUTO09
	131 ↔ 140	AUTO10
	141 ↔ 150	CUSTOM01
	151 ↔ 160	CUSTOM02
	161 ↔ 170	CUSTOM03
	171 ↔ 180	CUSTOM04
	181 ↔ 190	CUSTOM05
	191 ↔ 200	CUSTOM06
	201 ↔ 210	CUSTOM07
	211 ↔ 220	CUSTOM08
221 ↔ 230	CUSTOM09	
231 ↔ 255	CUSTOM10	
15		AUTO SPEED
	0 ↔ 255	Since the walking speed (slow to fast)
16		DIMMER SPEED
	0 ↔ 9	RETURN SETTINGS
	10 ↔ 29	NORMAL
	30 ↔ 69	DIM 1
	70 ↔ 129	DIM 2
	130 ↔ 189	DIM 3
	190 ↔ 255	DIM 4

CHANNEL	VALUE	FUNCTION
17		PIXEL SELECTION
	0 ↔ 9	PIX 1,2,3 (STATIC)
	10 ↔ 19	PIX 1 (STATIC)
	20 ↔ 29	PIX 2 (STATIC)
	30 ↔ 39	PIX 3 (STATIC)
	40 ↔ 49	PIX 1,2 (STATIC)
	50 ↔ 59	PIX 1,3(STATIC)
	60 ↔ 69	PIX 2,3 (STATIC)
	70 ↔ 79	PIX 1,2,3 (STATIC)
	80 ↔ 159	PIX 1,2,3 (STATIC)
	160 ↔ 179	CHASE LEFT-TO-RIGHT (SLOW TO FAST)
	180 ↔ 199	CHASE RIGHT-TO-LEFT (SLOW TO FAST)
	200 ↔ 219	CHASE LEFT-RIGHT-LEFT (SLOW TO FAST)
	200 ↔ 239	RANDON (SLOW TO FAST)
240 ↔ 255	PIX 1,2,3 (STATIC)	
18	0 ↔ 255	ZOOM
19	000 ↔ 200	NO FUNCTION
	201 ↔ 220	ZOOM RESET
	221 ↔ 255	NO FUNCTION

AR2.Z

CHANNEL	VALUE	FUNCTION
1	0 ↔ 255	DIMMER
2	0 ↔ 255	RED
3	0 ↔ 255	GREEN
4	0 ↔ 255	BLUE
5	0 ↔ 255	WHITE
6		VCW
	0 ↔ 5	NO FUNCTION
	6 ↔ 10	Moroccan Pink (790)
	11 ↔ 15	Pink (157)
	16 ↔ 20	Special rose Pink (332)
	21 ↔ 25	Follies Pink (328)
	26 ↔ 30	Fuchsia Pink (345)
	31 ↔ 35	Surprise Pink (194)
	36 ↔ 40	Congo Blue (181)
	41 ↔ 45	Tokyo Blue (071)
	46 ↔ 50	Deep Blue (120)
	51 ↔ 55	Just Blue (079)

CHANNEL	VALUE	FUNCTION
6	56 ↔ 60	Medium Blue (132)
	61 ↔ 65	Double CT Blue (200)
	66 ↔ 70	State Blue (161)
	71 ↔ 75	Full CT Blue (201)
	76 ↔ 80	Half CT Blue (202)
	81 ↔ 85	Steel Blue (117)
	86 ↔ 90	Lighter Blue (353)
	91 ↔ 95	Light Blue (118)
	96 ↔ 100	Medium Blue Green (116)
	101 ↔ 105	Dark Green (124)
	106 ↔ 110	Primary Green (139)
	111 ↔ 115	Moss Gree (089)
	116 ↔ 120	Fern Green (122)
	121 ↔ 125	JAS Green (738)
	126 ↔ 130	Lime Green (088)
	131 ↔ 135	Spring Yellow (100)
	136 ↔ 140	Deep Amber (104)
	141 ↔ 145	Chrome Orange (179)
	146 ↔ 150	Orange (105)
	151 ↔ 155	Gold Amber (021)
	156 ↔ 160	Millennium Gold (778)
	161 ↔ 165	Deep Golden Amber (135)
	166 ↔ 170	Flame Red (164)
	171 ↔ 175	WHITE1: 2700K
	186 ↔ 200	WHITE2: 3200K
	201 ↔ 215	WHITE3: 4000K
216 ↔ 230	WHITE4: 5600K	
231 ↔ 245	WHITE5: 6000K	
246 ↔ 255	WHITE6: 6500K	
7		STROBE 2
	0 ↔ 9	NO FUNCTION
	10 ↔ 255	1~20Hz
8	000 ↔ 200	NO FUNCTION
	201 ↔ 220	ZOOM RESET
	221 ↔ 255	NO FUNCTION

FULL

CHANNEL	VALUE	FUNCTION
1	0 ↔ 255	MASTER DIMMER
2	0 ↔ 255	MASTER DIMMER FINE (or STEP TIME when CUS.01-CUS.10 in CH30 is activated)
3	0 ↔ 255	RED1 (or FADE TIME when CUS.01-CUS.10 in CH30 is activated)
4	0 ↔ 255	RED FINE1
5	0 ↔ 255	GREEN1
6	0 ↔ 255	GREEN FINE1
7	0 ↔ 255	BLUE1
8	0 ↔ 255	BLUE FINE1
9	0 ↔ 255	WHITE1
10	0 ↔ 255	WHITE FINE1
11	0 ↔ 255	RED2
12	0 ↔ 255	RED FINE2
13	0 ↔ 255	GREEN2
14	0 ↔ 255	GREEN FINE2
15	0 ↔ 255	BLUE2
16	0 ↔ 255	BLUE FINE2
17	0 ↔ 255	WHITE2
18	0 ↔ 255	WHITE FINE2
19	0 ↔ 255	RED3
20	0 ↔ 255	RED FINE3
21	0 ↔ 255	GREEN3
22	0 ↔ 255	GREEN FINE3
23	0 ↔ 255	BLUE3
24	0 ↔ 255	BLUE FINE3
25	0 ↔ 255	WHITE3
26	0 ↔ 255	WHITE FINE3

CHANNEL	VALUE	FUNCTION
27		VCW
	0 ↔ 5	NO FUNCTION
	6 ↔ 10	Moroccan Pink (790)
	11 ↔ 15	Pink (157)
	16 ↔ 20	Special rose Pink (332)
	21 ↔ 25	Follies Pink (328)
	26 ↔ 30	Fuchsia Pink (345)
	31 ↔ 35	Surprise Pink (194)
	36 ↔ 40	Congo Blue (181)
	41 ↔ 45	Tokyo Blue (071)
	46 ↔ 50	Deep Blue (120)
	51 ↔ 55	Just Blue (079)
	56 ↔ 60	Medium Blue (132)
	61 ↔ 65	Double CT Blue (200)
	66 ↔ 70	State Blue (161)
	71 ↔ 75	Full CT Blue (201)
	76 ↔ 80	Half CT Blue (202)
	81 ↔ 85	Steel Blue (117)
	86 ↔ 90	Lighter Blue (353)
	91 ↔ 95	Light Blue (118)
	96 ↔ 100	Medium Blue Green (116)
	101 ↔ 105	Dark Green (124)
	106 ↔ 110	Primary Green (139)
	111 ↔ 115	Moss Gree (089)
	116 ↔ 120	Fern Green (122)
	121 ↔ 125	JAS Green (738)
	126 ↔ 130	Lime Green (088)
	131 ↔ 135	Spring Yellow (100)
	136 ↔ 140	Deep Amber (104)
	141 ↔ 145	Chrome Orange (179)
	146 ↔ 150	Orange (105)
	151 ↔ 155	Gold Amber (021)
	156 ↔ 160	Millennium Gold (778)
	161 ↔ 165	Deep Golden Amber (135)
166 ↔ 170	Flame Red (164)	
171 ↔ 175	WHITE1: 2700K	
186 ↔ 200	WHITE2: 3200K	
201 ↔ 215	WHITE3: 4000K	
216 ↔ 230	WHITE4: 5600K	
231 ↔ 245	WHITE5: 6000K	
246 ↔ 255	WHITE6: 6500K	

CHANNEL	VALUE	FUNCTION
28		COLOR MACRO & WHITE
	0 ↔ 10	NO FUNCTION
	11 ↔ 30	RED 100% / GREEN UP / BLUE 0%
	31 ↔ 50	RED DOWN / GREEN 100% / BLUE 0%
	51 ↔ 70	RED 0% / GREEN 100% / BLUE UP
	71 ↔ 90	RED 0% / GREEN DOWN / BLUE 100%
	91 ↔ 110	RED UP / GREEN 0% / BLUE 100%
	111 ↔ 130	RED 100% / GREEN 0% / BLUE DOWN
	131 ↔ 150	RED 100% / GREEN UP / BLUE UP
	151 ↔ 170	RED DOWN / GREEN DOWN / BLUE 100%
	171 ↔ 200	ALL LED AT FULL OUTPUT
	201 ↔ 205	WHITE1: 3200K
	206 ↔ 210	WHITE2: 3400K
	211 ↔ 215	WHITE3: 4200K
	216 ↔ 220	WHITE4: 4900K
	221 ↔ 225	WHITE5: 5600K
	226 ↔ 230	WHITE6: 5900K
	231 ↔ 235	WHITE7: 6500K
	236 ↔ 240	WHITE8: 7200K
	241 ↔ 245	WHITE9: 8000K
	246 ↔ 250	WHITE10: 8500K
251 ↔ 255	WHITE11: 10000K	
29		SPECIAL STROBE
	0 ↔ 9	No strobe
	10 ↔ 99	Strobe (slow to fast)
	100 ↔ 109	No strobe
	110 ↔ 179	Lightning strobe (slow to fast)
	180 ↔ 189	No strobe
	190 ↔ 255	Random strobe (slow to fast)
		STROBE 2
	0 ↔ 9	NO FUNCTION
	10 ↔ 255	1~20Hz
	30	
0 ↔ 40		NO FUNCTION
41 ↔ 50		AUTO01
51 ↔ 60		AUTO02
61 ↔ 70		AUTO03
71 ↔ 80		AUTO04
81 ↔ 90		AUTO05
91 ↔ 100		AUTO06
101 ↔ 110		AUTO07

CHANNEL	VALUE	FUNCTION
30	111 ↔ 120	AUTO08
	121 ↔ 130	AUTO09
	131 ↔ 140	AUTO10
	141 ↔ 150	CUSTOM01
	151 ↔ 160	CUSTOM02
	161 ↔ 170	CUSTOM03
	171 ↔ 180	CUSTOM04
	181 ↔ 190	CUSTOM05
	191 ↔ 200	CUSTOM06
	201 ↔ 210	CUSTOM07
	211 ↔ 220	CUSTOM08
	221 ↔ 230	CUSTOM09
	231 ↔ 255	CUSTOM10
31		AUTO SPEED
	0 ↔ 255	Since the walking speed (slow to fast)
32		DIMMER SPEED
	0 ↔ 9	RETURN SETTINGS
	10 ↔ 29	NORMAL
	30 ↔ 69	DIM 1
	70 ↔ 129	DIM 2
	130 ↔ 189	DIM 3
	190 ↔ 255	DIM 4
33		PIXEL SELECTION
	0 ↔ 9	PIX 1,2,3 (STATIC)
	10 ↔ 19	PIX 1 (STATIC)
	20 ↔ 29	PIX 2 (STATIC)
	30 ↔ 39	PIX 3 (STATIC)
	40 ↔ 49	PIX 1,2 (STATIC)
	50 ↔ 59	PIX 1,3 (STATIC)
	60 ↔ 69	PIX 2,3 (STATIC)
	70 ↔ 79	PIX 1,2,3 (STATIC)
	80 ↔ 159	PIX 1,2,3 (STATIC)
	160 ↔ 179	CHASE LEFT-TO-RIGHT (SLOW TO FAST)
	180 ↔ 199	CHASE RIGHT-TO-LEFT (SLOW TO FAST)
	200 ↔ 219	CHASE LEFT-RIGHT-LEFT (SLOW TO FAST)
	200 ↔ 239	RANDON (SLOW TO FAST)
240 ↔ 255	PIX 1,2,3 (STATIC)	
34	0 ↔ 255	ZOOM
35	000 ↔ 200	NO FUNCTION
	201 ↔ 220	ZOOM RESET
	221 ↔ 255	NO FUNCTION

CHANNEL	VALUE	FUNCTION
1	0 ↔ 255	MASTER DIMMER
2	0 ↔ 255	PIXEL 1 - RED
3	0 ↔ 255	PIXEL 1 - GREEN
4	0 ↔ 255	PIXEL 1 - BLUE
5		VCW/PIXEL 1
	0 ↔ 5	NO FUNCTION
	6 ↔ 10	Moroccan Pink (790)
	11 ↔ 15	Pink (157)
	16 ↔ 20	Special rose Pink (332)
	21 ↔ 25	Follies Pink (328)
	26 ↔ 30	Fuchsia Pink (345)
	31 ↔ 35	Surprise Pink (194)
	36 ↔ 40	Congo Blue (181)
	41 ↔ 45	Tokyo Blue (071)
	46 ↔ 50	Deep Blue (120)
	51 ↔ 55	Just Blue (079)
	56 ↔ 60	Medium Blue (132)
	61 ↔ 65	Double CT Blue (200)
	66 ↔ 70	State Blue (161)
	71 ↔ 75	Full CT Blue (201)
	76 ↔ 80	Half CT Blue (202)
	81 ↔ 85	Steel Blue (117)
	86 ↔ 90	Lighter Blue (353)
	91 ↔ 95	Light Blue (118)
	96 ↔ 100	Medium Blue Green (116)
	101 ↔ 105	Dark Green (124)
	106 ↔ 110	Primary Green (139)
	111 ↔ 115	Moss Gree (089)
	116 ↔ 120	Fern Green (122)
	121 ↔ 125	JAS Green (738)
	126 ↔ 130	Lime Green (088)
	131 ↔ 135	Spring Yellow (100)
	136 ↔ 140	Deep Amber (104)
	141 ↔ 145	Chrome Orange (179)
	146 ↔ 150	Orange (105)
	151 ↔ 155	Gold Amber (021)
	156 ↔ 160	Millennium Gold (778)
161 ↔ 165	Deep Golden Amber (135)	
166 ↔ 170	Flame Red (164)	

CHANNEL	VALUE	FUNCTION
5	171 ↔ 175	WHITE1: 2700K
	186 ↔ 200	WHITE2: 3200K
	201 ↔ 215	WHITE3: 4000K
	216 ↔ 230	WHITE4: 5600K
	231 ↔ 245	WHITE5: 6000K
	246 ↔ 255	WHITE6: 6500K
6	0 ↔ 255	PIXEL 2 - RED
7	0 ↔ 255	PIXEL 2 - GREEN
8	0 ↔ 255	PIXEL 2 - BLUE
9		VCW/PIXEL 2 Pls check the channel 5 for the channel value
10	0 ↔ 255	PIXEL 3 - RED
11	0 ↔ 255	PIXEL 3 - GREEN
12	0 ↔ 255	PIXEL 3 - BLUE
13		VCW/PIXEL 3 Pls check the channel 5 for the channel value

PIX1

CHANNEL	VALUE	FUNCTION
1	0 ↔ 255	MASTER DIMMER
2	0 ↔ 255	PIXEL 1 - RED
3	0 ↔ 255	PIXEL 1 - GREEN
4	0 ↔ 255	PIXEL 1 - BLUE
5	0 ↔ 255	PIXEL 1 - WHITE
6		VCW/PIXEL 1
	0 ↔ 5	NO FUNCTION
	6 ↔ 10	Moroccan Pink (790)
	11 ↔ 15	Pink (157)
	16 ↔ 20	Special rose Pink (332)
	21 ↔ 25	Follies Pink (328)
	26 ↔ 30	Fuchsia Pink (345)
	31 ↔ 35	Surprise Pink (194)
	36 ↔ 40	Congo Blue (181)
	41 ↔ 45	Tokyo Blue (071)
	46 ↔ 50	Deep Blue (120)
	51 ↔ 55	Just Blue (079)
	56 ↔ 60	Medium Blue (132)
	61 ↔ 65	Double CT Blue (200)
	66 ↔ 70	State Blue (161)
	71 ↔ 75	Full CT Blue (201)
	76 ↔ 80	Half CT Blue (202)
	81 ↔ 85	Steel Blue (117)
	86 ↔ 90	Lighter Blue (353)
	91 ↔ 95	Light Blue (118)
	96 ↔ 100	Medium Blue Green (116)
	101 ↔ 105	Dark Green (124)
	106 ↔ 110	Primary Green (139)
	111 ↔ 115	Moss Gree (089)
	116 ↔ 120	Fern Green (122)
	121 ↔ 125	JAS Green (738)
	126 ↔ 130	Lime Green (088)
	131 ↔ 135	Spring Yellow (100)
	136 ↔ 140	Deep Amber (104)
	141 ↔ 145	Chrome Orange (179)
146 ↔ 150	Orange (105)	
151 ↔ 155	Gold Amber (021)	
156 ↔ 160	Millennium Gold (778)	
161 ↔ 165	Deep Golden Amber (135)	
166 ↔ 170	Flame Red (164)	

CHANNEL	VALUE	FUNCTION
6	171 ↔ 175	WHITE1: 2700K
	186 ↔ 200	WHITE2: 3200K
	201 ↔ 215	WHITE3: 4000K
	216 ↔ 230	WHITE4: 5600K
	231 ↔ 245	WHITE5: 6000K
	246 ↔ 255	WHITE6: 6500K
7	0 ↔ 255	PIXEL 2 - RED
8	0 ↔ 255	PIXEL 2 - GREEN
9	0 ↔ 255	PIXEL 2 - BLUE
10	0 ↔ 255	PIXEL 2 - WHITE
11		VCW/PIXEL 2 Pls check the channel 6 for the channel value
12	0 ↔ 255	PIXEL 3 - RED
13	0 ↔ 255	PIXEL 3 - GREEN
14	0 ↔ 255	PIXEL 3 - BLUE
15	0 ↔ 255	PIXEL 3 - WHITE
16		VCW/PIXEL 3 Pls check the channel 6 for the channel value
17		STROBE 2
	0 ↔ 9	NO FUNCTION
	10 ↔ 255	1~20Hz
18	0 ↔ 255	ZOOM
19	000 ↔ 200	NO FUNCTION
	201 ↔ 220	ZOOM RESET
	221 ↔ 255	NO FUNCTION

PIX2

Term	Parameter ID	Discovery Command	SET Command	GET Command
1	DIS_UNIQUE_BRANCH	●		
2	DIS_MUTE	●		
3	DISC_UN_MUTE	●		
4	DEVICE_INFO			●
5	SUPPORTED_PARAMETERS			●
6	SOFTWARE_VERSION_LABEL			●
7	DMX_START_ADDRESS		●	●
8	IDENTIFY_DEVICE		●	●
9	DEVICE_MODEL_DESCRIPTION			●
10	MANUFACTURER_LABEL			●
11	DEVICE_LABEL		●	●
12	SENSOR_DEFINITION			●
13	SENSOR_VALUE			●
14	DEVICE_RESET		●	
15	DMX_PERSONALITY			●
16	DMX_PERSONALITY_DESCRIPTION			●
17	STATUS_MESSAGES			●
18	STATUS_ID_DESCRIPTION			

1. Descripción

Zoom Panel

Bañador LED profesional de alta potencia - 27 LEDs 4-en-1 de 15W

Zoom Panel es un reflector zoom profesional para interiores de gran performance que cuenta con 27 LEDs 4-en-1 de 15W. El equipo ofrece una cantidad diversa de aplicaciones gracias a su zoom variable de 10° a 30°, convirtiéndose tanto en un puntual beam como en un amplio bañador. Gracias a su tecnología Quad, la unidad provee una mezcla de color RGBW suave sin sombras multicolor. La intensidad lumínica que aporta el Zoom Panel lo convierte en un equipo capaz de iluminar grandes espaciosos, convirtiéndose de esta manera en la opción ideal para conciertos, teatros y estudios de TV.

Fuente & Óptica

- Fuente de luz: 27 LEDs Osram 4-in-1 de 15W
- Ángulo de haz: 10°-30°

Datos fotométricos

- Flujo lumínico: 20029lux @ 2m (6.5ft)

Efectos y funciones

- 16.7 millones de colores RGB con saturación total
- Estrobo: 0-20Hz
- Dimmer: 0-100%

Control

- Canales DMX: 12/3/4/5/6/7/9/12/17/33

Físico

- Conectores: DMX entrada/salida, Alimentación entrada/salida
- Certificación IP: IP66
- Cubierta: Aluminio
- Dimensiones: 498x200x256 mm. / 19.6x7.9x10 pulg.
- Peso: 11 Kg. / 24.2 Lb.

1.1. Advertencias de seguridad

- Procure que la instalación del producto esté a cargo de un técnico calificado.
- Las tareas de mantenimiento solo podrán ser efectuadas por un especialista.
- Deberá dejar una distancia mínima de 0,5 metros entre el equipo y superficies inflamables.
- Procure ubicar el producto en lugares con una ventilación adecuada.
- Nunca mire fijo a la fuente de luz LED.
- Desenchufe el equipo antes de realizar tareas de mantenimiento. Procure conectar el dispositivo a tierra.
- Asegúrese de que todas las piezas del equipo se mantengan limpias y sin polvo.

IMPORTANTE

Deberá dejar una distancia mínima de 0,8 metros entre la fuente de luz y la superficie iluminada.

2. Instalación

2.1. Montaje

POSICIÓN COLGANTE

Si desea instalar el equipo en posición colgante, utilice el soporte correspondiente. Este soporte debe asegurarse en un truss o estructura de montaje mediante una abrazadera de montaje estándar. Tenga en cuenta que también deberá utilizar un cable de seguridad.

POSICIÓN VERTICAL

Si desea instalar el equipo en posición vertical u horizontal, utilice los soportes correspondientes.

NOTA

Podrá instalar el MÓDULO LED en cualquier ángulo y posición. Asimismo, podrá ajustar el ángulo del MÓDULO LED utilizando los dos mandos de ajuste ubicados al costado de la unidad.

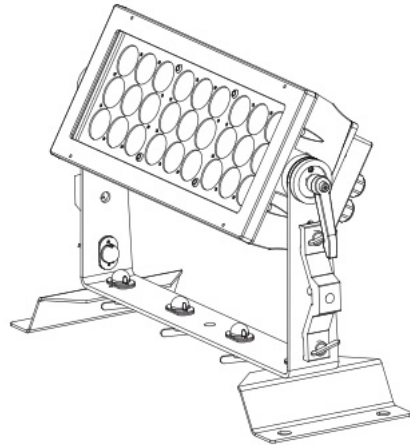
2.2. Conexiones eléctricas

Conexión 220 V: podrá conectar hasta 6 unidades en serie.

Conexión 110 V: podrá conectar hasta 3 unidades en serie.

NOTA:

Si la longitud del cable de señal entre el controlador DMX512 y una unidad o entre dos unidades supera los 60 metros, será necesario utilizar un amplificador de la señal DMX.



3. Operación de la pantalla

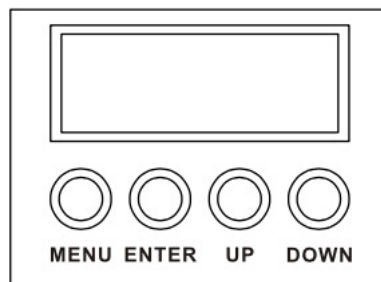
3.1. Operación de la pantalla

MENU: volver atrás.

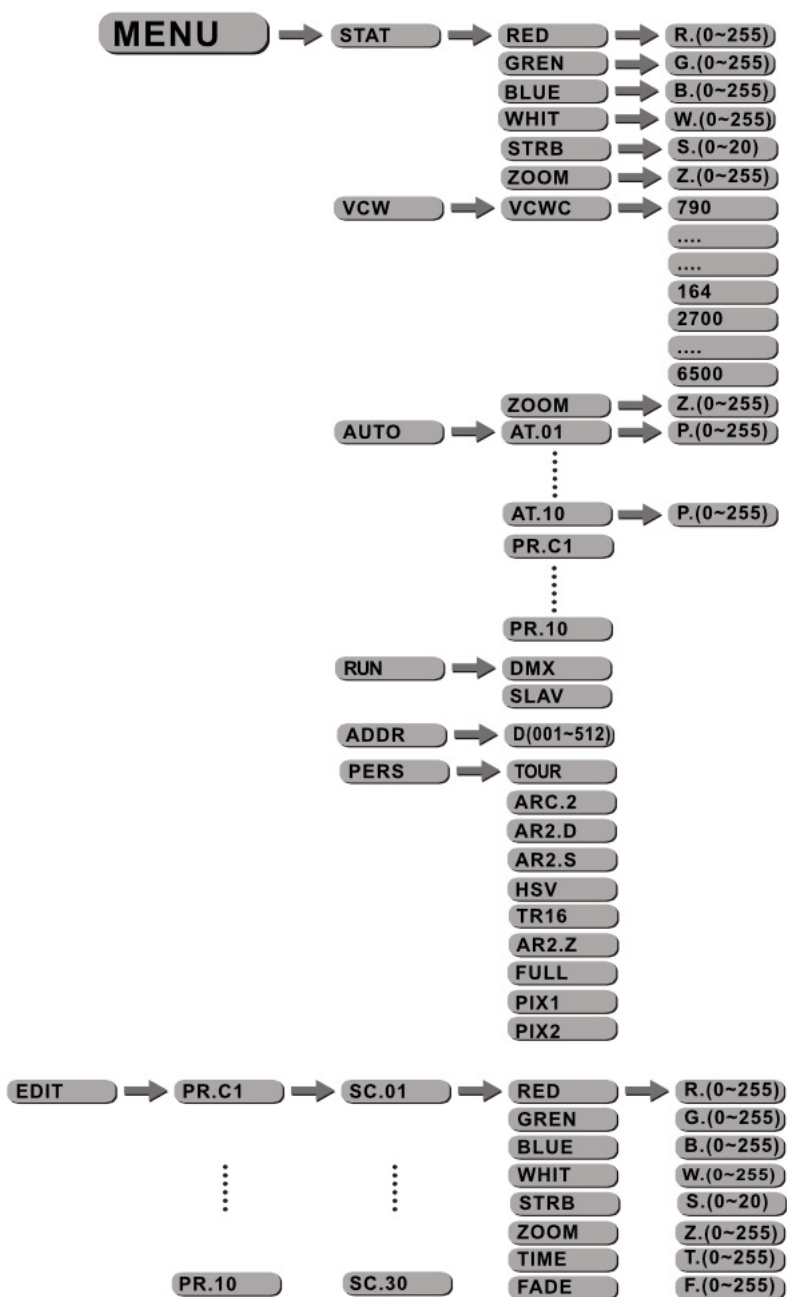
ENTER: ingresar a la opción seleccionada o guardar.

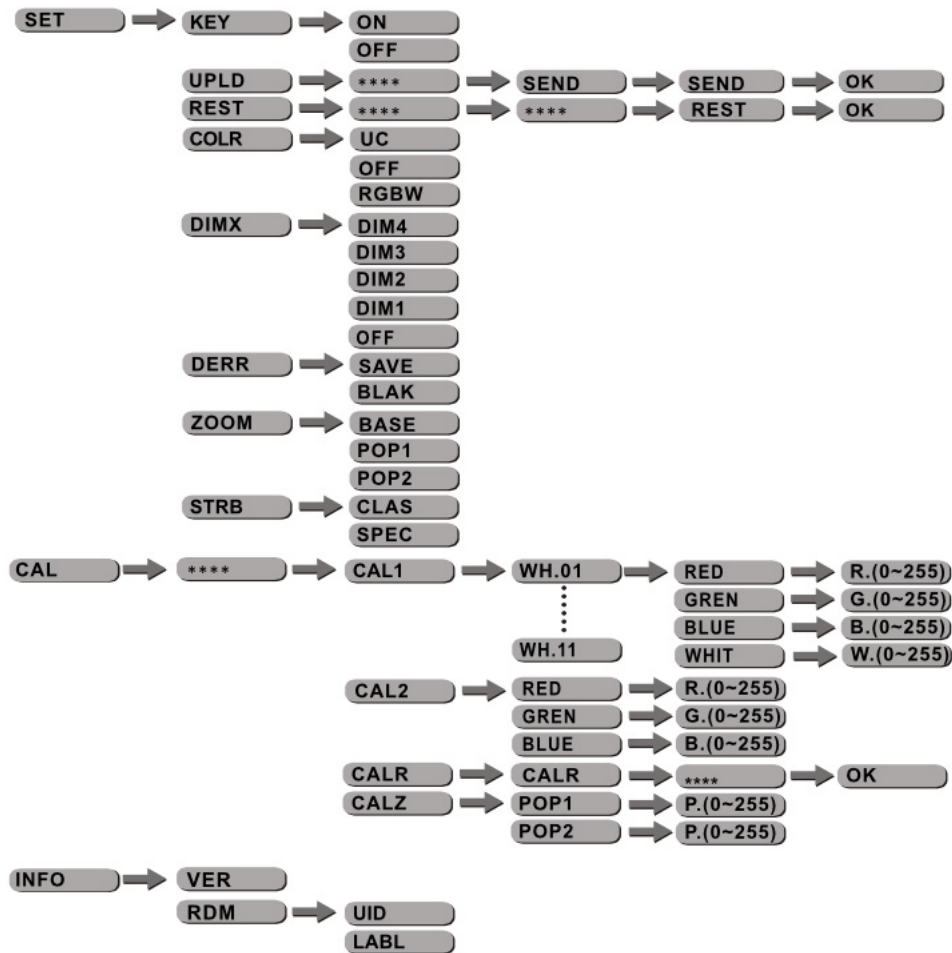
DOWN: desplazar hacia abajo.

UP: desplazar hacia arriba.

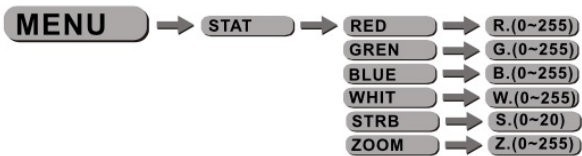


3.2. Mapa de menús



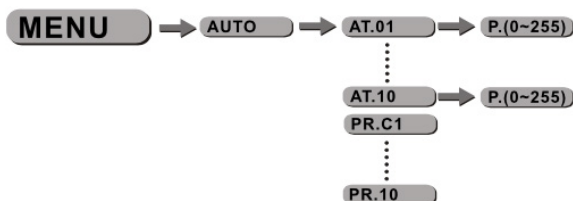


3.3. Edición de colores estáticos



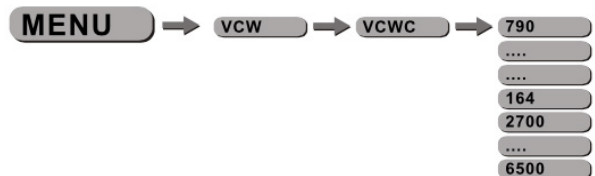
- Ajuste el valor de las opciones [Red], [Green], [Blue] y [White] para lograr diferentes colores (valores: 0-255).
- Configure el valor de [Strobe] (valores: 0-20 Hz) y de [Zoom] (valores: 0-255).

3.4. Activación de programas automáticos



- Seleccione la opción [AUTO] y presione la tecla [ENTER].
- Los programas [AT.01] a [AT.10] están preconfigurados íntegramente y no se alterarán por los cambios que se realicen en el modo [EDIT].
- Los programas [PR.01] a [PR.10] están preconfigurados íntegramente y podrán modificarse en el modo [EDIT].

3.5. Configuración de mezcla de colores



- Seleccione [ENTER] y utilice las teclas UP/DOWN en el menú [VCW] para definir diferentes mezclas de colores.

3.6. Modo de ejecución



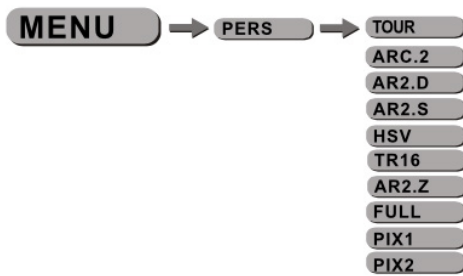
- Ingrese a la opción [RUN] para configurar el modo de ejecución.
- El modo [DMX] permite utilizar el controlador DMX512 para controlar las unidades.
- La función [SLAV] permite operar la unidad en modo master/slave.

3.7. Configuración de dmx512



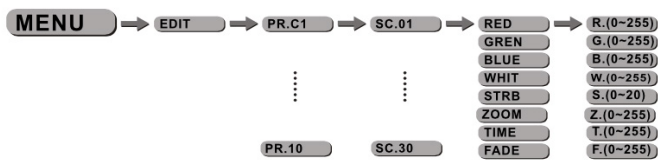
- Ingrese al modo [ADDR] para configurar el valor de la DIRECCIÓN DMX.

3.8. Personalidad



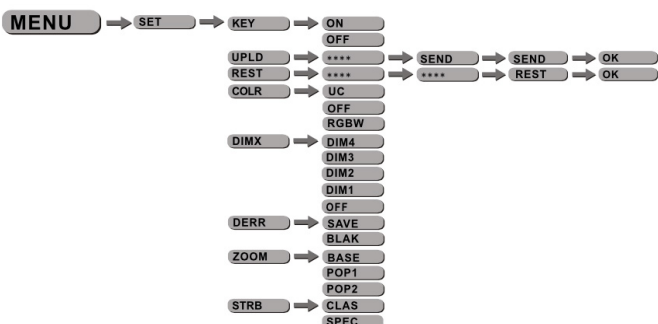
- Ingrese a la opción [PERSONALITY] para seleccionar el modo DMX: [TOUR], [ARC.2], [AR2.D], [AR2.S], [HSV], [TR16], [AR2.Z], [FULL], [PIX1], [PIX2].

3.9. Edición de programas personalizados



- Ingrese al modo [EDIT] para editar los programas personalizados [PR.01] a [PR.10].
- Cada programa personalizado posee 30 pasos que pueden editarse.
- Cada paso permite la creación de una escena mediante el ajuste de los valores de ROJO [Red], VERDE [Green], AZUL [Blue], BLANCO [White], ZOOM [Zoom], ESTROBO [Strb], TIEMPO [Time] y DEGRADADO [Fade].

3.10. Configuraciones especiales



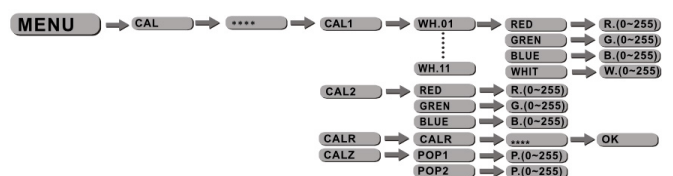
- [SET]: A través de este menú, el usuario podrá ajustar las principales configuraciones de operación de esta unidad. [KEY]: Al seleccionar el valor [ON], la unidad se bloqueará automáticamente y se deberá ingresar una contraseña para acceder al menú (<UP> + <DOWN> + <UP> + <DOWN>).

- Seleccione [UPLD] para cargar los programas personalizados desde la unidad MASTER actual hacia las unidades SLAVE.
- Para restablecer los valores predeterminados de los modos personalizados, seleccione la opción [REST].
- Utilice la opción [COLR] para activar o desactivar las funciones de calibración de colores. Si se selecciona la opción [RGBW], cuando la configuración de RGB es igual a 255, 255, 255, el color se mostrará según la calibración definida en CAL2 — RGBW. Cuando el valor de [COLR] es [OFF], si la configuración de RGB es igual a 255, 255, 255, los valores de RGB no se ajustarán y la salida será más potente. Al seleccionar [UC], se ajustará la salida de RGB según un color universal predefinido y estándar que equilibra las diferentes versiones de las unidades que se utilizan.
- Seleccione [DIM1], [DIM2], [DIM3] o [DIM4] para definir diferentes velocidades de dimming (el valor de [DIM4] corresponde a la velocidad más baja de dimming).
- [DERR] Seleccione la opción [Save] para guardar los datos DMX más recientes en caso de error en la señal DMX. También podrá seleccionar [Black] para efectuar un apagado (blackout) en caso de error en la señal DMX.
- [ZOOM] Utilice esta opción para determinar la posición de los parámetros POS1 y POS2. El valor 0 corresponde a la posición mínima de zoom. Para restablecer la posición de zoom predeterminada, seleccione el valor BASE (zoom=0).
- [STRB] Esta unidad permite definir dos configuraciones de la personalidad de estrobo: estrobo 1 [CLAS] o estrobo 2 [SPEC]. La configuración del parámetro [STRB] solo será válida para las personalidades DMX [TOUR], [AR2.S] y [TR16].

3.11. Menú de parámetros de balance y corrección

Presione la tecla [MENU] e ingrese la contraseña correcta <UP + DOWN + UP + DOWN>.

Luego, al presionar la tecla [MENU], se mostrarán en pantalla los diferentes submenús.



- Ingrese a la opción [CAL1] para seleccionar las diferentes

temperaturas del color blanco.

- Existen 11 colores blanco preprogramados que pueden editarse ajustando los valores de [Red], [Green], [Blue] y [White].
- Ingrese a la opción [CAL2] para ajustar el valor de RGB y lograr diferentes blancos.
- Al activar la nueva configuración, el controlador DMX tomará los valores de RGB = 255, 255, 255, y el color blanco se formará a partir de los valores reales de RGB en la opción [CAL2].

3.12. Información de la unidad (info)



- Presione la tecla [Enter] en el menú [INFO] para verificar la información de la unidad. Si desea conocer la versión del software, seleccione [VER].
- En el menú [RDM] podrá conocer la información sobre RDM. Utilice las teclas [DOWN]/[UP] para seleccionar las opciones [UID], que muestra el ID de la unidad, y [LABL], que muestra las especificaciones de la unidad.

4. Uso del controlador dmx512

4.1. Asignación de canales

NOTA: Este producto ofrece once configuraciones de canales DMX512: TOUR, ARC2, AR2.D, AR2.S, HSV, TR16, AR2.Z, FULL, PIX.1, PIX.2.

TOUR

CANAL	VALORES	FUNCIÓN
1	0<=>255	DIMMER MASTER
2	0<=>255	ROJO (o TIEMPO DE PASO si CUS.01-CUS.10 está activado en CH9)
3	0<=>255	VERDE (o TIEMPO DE DEGRADADO si CUS.01-CUS.10 está activado en CH9)
4	0<=>255	AZUL
5	0<=>255	BLANCO

CANAL	VALORES	FUNCIÓN
6		VCW
	0<=>5	SIN FUNCIÓN
	6<=>10	Rosa marroquí (790)
	11<=>15	Rosa (157)
	16<=>20	Rosa especial (332)
	21<=>25	Rosa follies (328)
	26<=>30	Rosa fucsia (345)
	31<=>35	Rosa sorpresa (194)
	36<=>40	Azul del Congo (181)
	41<=>45	Azul Tokio (071)
	46<=>50	Azul profundo (120)
	51<=>55	Azul simple (079)
	56<=>60	Azul medio (132)
	61<=>65	Azul doble CT (200)
	66<=>70	Azul State (161)
	71<=>75	Azul CT total (201)
	76<=>80	Azul CT medio (202)
	81<=>85	Azul acero (117)
	86<=>90	Azul claro (353)
	91<=>95	Celeste (118)
	96<=>100	Verde azulado medio (116)
	101<=>105	Verde oscuro (124)
	106<=>110	Verde primario (139)
	111<=>115	Verde musgo (089)
	116<=>120	Verde helecho (122)
	121<=>125	Verde JAS (738)
	126<=>130	Verde lima (088)
	131<=>135	Amarillo primavera (100)
	136<=>140	Ámbar profundo (104)
	141<=>145	Naranja cromo (179)
	146<=>150	Naranja (105)
	151<=>155	Ámbar dorado (021)
156<=>160	Dorado milenario (778)	
161<=>165	Ámbar dorado profundo (135)	
166<=>170	Rojo fuego (164)	
171<=>175	BLANCO1: 2700K	
186<=>200	BLANCO2: 3200K	
201<=>215	BLANCO3: 4000K	
216<=>230	BLANCO4: 5600K	
231<=>245	BLANCO5: 6000K	
246<=>255	BLANCO6: 6500K	

CANAL	VALORES	FUNCIÓN
7		MACRO DE COLORES & BLANCO
	0<=>10	SIN FUNCIÓN
	11<=>30	ROJO 100% / VERDE UP / AZUL 0%
	31<=>50	ROJO DOWN / VERDE 100% / AZUL 0%
	51<=>70	ROJO 0% / VERDE 100% / AZUL UP
	71<=>90	ROJO 0% / VERDE DOWN / AZUL 100%
	91<=>110	ROJO UP / VERDE 0% / AZUL 100%
	111<=>130	ROJO 100% / VERDE 0% / AZUL DOWN
	131<=>150	ROJO 100% / VERDE UP / AZUL UP
	151<=>170	ROJO DOWN / VERDE DOWN / AZUL 100%
	171<=>200	SALIDA MÁXIMA EN TODOS LOS LED
	201<=>205	BLANCO1: 3200K
	206<=>210	BLANCO2: 3400K
	211<=>215	BLANCO3: 4200K
	216<=>220	BLANCO4: 4900K
	221<=>225	BLANCO5: 5600K
	226<=>230	BLANCO6: 5900K
	231<=>235	BLANCO7: 6500K
	236<=>240	BLANCO8: 7200K
	241<=>245	BLANCO9: 8000K
246<=>250	BLANCO10: 8500K	
251<=>255	BLANCO11: 10000K	
8		ESTROBO ESPECIAL
	0<=>9	Sin estrobo
	10<=>99	Estrobo (velocidad creciente)
	100<=>109	Sin estrobo
	110<=>179	Estrobo de iluminación (velocidad creciente)
	180<=>189	Sin estrobo
	190<=>255	Estrobo aleatorio (velocidad creciente)
		ESTROBO 2
	0<=>9	SIN FUNCIÓN
	10<=>255	1-20 Hz

CANAL	VALORES	FUNCIÓN
9		PROGRAMAS AUTOMÁTICOS
	0<=>40	SIN FUNCIÓN
	41<=>50	AUTO01
	51<=>60	AUTO02
	61<=>70	AUTO03
	71<=>80	AUTO04
	81<=>90	AUTO05
	91<=>100	AUTO06
	101<=>110	AUTO07
	111<=>120	AUTO08
	121<=>130	AUTO09
	131<=>140	AUTO10
	141<=>150	CUSTOM01
	151<=>160	CUSTOM02
	161<=>170	CUSTOM03
	171<=>180	CUSTOM04
	181<=>190	CUSTOM05
	191<=>200	CUSTOM06
	201<=>210	CUSTOM07
	211<=>220	CUSTOM08
221<=>230	CUSTOM09	
231<=>255	CUSTOM10	
10		VELOCIDAD AUTOMÁTICA
	0<=>255	Desde velocidad de marcha (velocidad creciente)
11		VELOCIDAD DEL DIMMER
	0<=>9	RESTABLECER CONFIGURACIÓN
	10<=>29	NORMAL
	30<=>69	DIM 1
	70<=>129	DIM 2
	130<=>189	DIM 3
	190<=>255	DIM 4

CANAL	VALORES	FUNCIÓN
		SELECCIÓN DE PÍXELES
	0<=>9	PIX 1, 2, 3 (ESTÁTICO)
	10<=>19	PIX 1 (ESTÁTICO)
	20<=>29	PIX 2 (ESTÁTICO)
	30<=>39	PIX 3 (ESTÁTICO)
	40<=>49	PIX 1, 2 (ESTÁTICO)
	50<=>59	PIX 1, 3 (ESTÁTICO)
	60<=>69	PIX 2, 3 (ESTÁTICO)
12	70<=>79	PIX 1, 2, 3 (ESTÁTICO)
	80<=>159	PIX 1, 2, 3 (ESTÁTICO)
	160<=>179	CHASE IZQUIERDA A DERECHA (VELOCIDAD CRECIENTE)
	180<=>199	CHASE DERECHA A IZQUIERDA (VELOCIDAD CRECIENTE)
	200<=>219	CHASE IZQUIERDA - DERECHA - IZQUIERDA (VELOCIDAD CRECIENTE)
	200<=>239	ALEATORIO (VELOCIDAD CRECIENTE)
	240<=>255	PIX 1, 2, 3 (ESTÁTICO)
13	0<=>255	ZOOM
14	000<=>200	SIN FUNCIÓN
	201<=>220	REINICIO DE ZOOM
	221<=>255	SIN FUNCIÓN

ARC.2

CANAL	VALORES	FUNCIÓN
1	0<=>255	DIMMER
2	0<=>255	ROJO
3	0<=>255	VERDE
4	0<=>255	AZUL
5	0<=>255	BLANCO
G		VCW
	0<=>5	SIN FUNCIÓN
	6<=>10	Rosa marroquí (790)
	11<=>15	Rosa (157)
	16<=>20	Rosa especial (332)
	21<=>25	Rosa follies (328)
	26<=>30	Rosa fucsia (345)
	31<=>35	Rosa sorpresa (194)
	36<=>40	Azul del Congo (181)
	41<=>45	Azul Tokio (071)
	46<=>50	Azul profundo (120)
	51<=>55	Azul simple (079)
	56<=>60	Azul medio (132)
	61<=>65	Azul doble CT (200)
	66<=>70	Azul State (161)
	71<=>75	Azul CT total (201)
	76<=>80	Azul CT medio (202)
	81<=>85	Azul acero (117)
	86<=>90	Azul claro (353)
	91<=>95	Celeste (118)
	96<=>100	Verde azulado medio (116)
	101<=>105	Verde oscuro (124)
	106<=>110	Verde primario (139)
	111<=>115	Verde musgo (089)
	116<=>120	Verde helecho (122)
	121<=>125	Verde JAS (738)
	126<=>130	Verde lima (088)
	131<=>135	Amarillo primavera (100)
	136<=>140	Ámbar profundo (104)
	141<=>145	Naranja cromo (179)
	146<=>150	Naranja (105)
	151<=>155	Ámbar dorado (021)
156<=>160	Dorado milenario (778)	
161<=>165	Ámbar dorado profundo (135)	
166<=>170	Rojo fuego (164)	
171<=>175	BLANCO1: 2700K	
186<=>200	BLANCO2: 3200K	
201<=>215	BLANCO3: 4000K	
216<=>230	BLANCO4: 5600K	
231<=>245	BLANCO5: 6000K	
246<=>255	BLANCO6: 6500K	

AR2.D

CANAL	VALORES	FUNCIÓN
1	0<=>255	DIMMER
2	0<=>255	ROJO
3	0<=>255	VERDE
4	0<=>255	AZUL
5	0<=>255	BLANCO

CANAL	VALORES	FUNCIÓN
6		VCW
	0<=>5	SIN FUNCIÓN
	6<=>10	Rosa marroquí (790)
	11<=>15	Rosa (157)
	16<=>20	Rosa especial (332)
	21<=>25	Rosa follies (328)
	26<=>30	Rosa fucsia (345)
	31<=>35	Rosa sorpresa (194)
	36<=>40	Azul del Congo (181)
	41<=>45	Azul Tokio (071)
	46<=>50	Azul profundo (120)
	51<=>55	Azul simple (079)
	56<=>60	Azul medio (132)
	61<=>65	Azul doble CT (200)
	66<=>70	Azul State (161)
	71<=>75	Azul CT total (201)
	76<=>80	Azul CT medio (202)
	81<=>85	Azul acero (117)
	86<=>90	Azul claro (353)
	91<=>95	Celeste (118)
	96<=>100	Verde azulado medio (116)
	101<=>105	Verde oscuro (124)
	106<=>110	Verde primario (139)
	111<=>115	Verde musgo (089)
	116<=>120	Verde helecho (122)
	121<=>125	Verde JAS (738)
	126<=>130	Verde lima (088)
	131<=>135	Amarillo primavera (100)
	136<=>140	Ámbar profundo (104)
	141<=>145	Naranja cromo (179)
	146<=>150	Naranja (105)
	151<=>155	Ámbar dorado (021)
156<=>160	Dorado milenario (778)	
161<=>165	Ámbar dorado profundo (135)	
166<=>170	Rojo fuego (164)	
171<=>175	BLANCO1: 2700K	
186<=>200	BLANCO2: 3200K	
201<=>215	BLANCO3: 4000K	
216<=>230	BLANCO4: 5600K	
231<=>245	BLANCO5: 6000K	
246<=>255	BLANCO6: 6500K	
7		ESTROBO 2
	0<=>9	SIN FUNCIÓN
	10<=>255	1~20 Hz

AR2.S

CANAL	VALORES	FUNCIÓN
1	0<=>255	DIMMER
2	0<=>255	ROJO
3	0<=>255	VERDE
4	0<=>255	AZUL
5	0<=>255	BLANCO

CANAL	VALORES	FUNCIÓN
6		VCW
	0<=>5	SIN FUNCIÓN
	6<=>10	Rosa marroquí (790)
	11<=>15	Rosa (157)
	16<=>20	Rosa especial (332)
	21<=>25	Rosa follies (328)
	26<=>30	Rosa fucsia (345)
	31<=>35	Rosa sorpresa (194)
	36<=>40	Azul del Congo (181)
	41<=>45	Azul Tokio (071)
	46<=>50	Azul profundo (120)
	51<=>55	Azul simple (079)
	56<=>60	Azul medio (132)
	61<=>65	Azul doble CT (200)
	66<=>70	Azul State (161)
	71<=>75	Azul CT total (201)
	76<=>80	Azul CT medio (202)
	81<=>85	Azul acero (117)
	86<=>90	Azul claro (353)
	91<=>95	Celeste (118)
	96<=>100	Verde azulado medio (116)
	101<=>105	Verde oscuro (124)
	106<=>110	Verde primario (139)
	111<=>115	Verde musgo (089)
	116<=>120	Verde helecho (122)
	121<=>125	Verde JAS (738)
	126<=>130	Verde lima (088)
	131<=>135	Amarillo primavera (100)
	136<=>140	Ámbar profundo (104)
	141<=>145	Naranja cromo (179)
	146<=>150	Naranja (105)
	151<=>155	Ámbar dorado (021)
	156<=>160	Dorado milenario (778)
161<=>165	Ámbar dorado profundo (135)	
166<=>170	Rojo fuego (164)	
171<=>175	BLANCO1: 2700K	
186<=>200	BLANCO2: 3200K	
201<=>215	BLANCO3: 4000K	
216<=>230	BLANCO4: 5600K	
231<=>245	BLANCO5: 6000K	
246<=>255	BLANCO6: 6500K	
7		ESTROBO 2
	0<=>9	SIN FUNCIÓN
	10<=>255	1~20 Hz

HSV

CANAL	VALORES	FUNCIÓN
1	0<=>255	TONO
2	0<=>255	SATURACIÓN
3	0<=>255	VALORES
4		VCW
	0<=>5	SIN FUNCIÓN
	6<=>10	Rosa marroquí (790)
	11<=>15	Rosa (157)
	16<=>20	Rosa especial (332)
	21<=>25	Rosa follies (328)
	26<=>30	Rosa fucsia (345)
	31<=>35	Rosa sorpresa (194)
	36<=>40	Azul del Congo (181)
	41<=>45	Azul Tokio (071)
	46<=>50	Azul profundo (120)
	51<=>55	Azul simple (079)
	56<=>60	Azul medio (132)
	61<=>65	Azul doble CT (200)
	66<=>70	Azul State (161)
	71<=>75	Azul CT total (201)
	76<=>80	Azul CT medio (202)
	81<=>85	Azul acero (117)
	86<=>90	Azul claro (353)
	91<=>95	Celeste (118)
96<=>100	Verde azulado medio (116)	
101<=>105	Verde oscuro (124)	
106<=>110	Verde primario (139)	

TR16

CANAL	VALORES	FUNCIÓN
1	0<=>255	DIMMER MASTER
2	0<=>255	DIMMER FINO MASTER (o TIEMPO DE PASO si CUS.01-CUS.10 está activado en CH14)
3	0<=>255	ROJO (o TIEMPO DE DEGRADADO si CUS.01-CUS.10 está activado en CH14)
4	0<=>255	ROJO FINO
5	0<=>255	VERDE
6	0<=>255	VERDE FINO
7	0<=>255	AZUL
8	0<=>255	AZUL FINO
9	0<=>255	BLANCO
10	0<=>255	BLANCO FINO

CANAL	VALORES	FUNCIÓN
11		VCW
	0<=>5	SIN FUNCIÓN
	6<=>10	Rosa marroquí (790)
	11<=>15	Rosa (157)
	16<=>20	Rosa especial (332)
	21<=>25	Rosa follies (328)
	26<=>30	Rosa fucsia (345)
	31<=>35	Rosa sorpresa (194)
	36<=>40	Azul del Congo (181)
	41<=>45	Azul Tokio (071)
	46<=>50	Azul profundo (120)
	51<=>55	Azul simple (079)
	56<=>60	Azul medio (132)
	61<=>65	Azul doble CT (200)
	66<=>70	Azul State (161)
	71<=>75	Azul CT total (201)
	76<=>80	Azul CT medio (202)
	81<=>85	Azul acero (117)
	86<=>90	Azul claro (353)
	91<=>95	Celeste (118)
	96<=>100	Verde azulado medio (116)
	101<=>105	Verde oscuro (124)
	106<=>110	Verde primario (139)
	111<=>115	Verde musgo (089)
	116<=>120	Verde helecho (122)
	121<=>125	Verde JAS (738)
	126<=>130	Verde lima (088)
	131<=>135	Amarillo primavera (100)
	136<=>140	Ámbar profundo (104)
	141<=>145	Naranja cromo (179)
	146<=>150	Naranja (105)
	151<=>155	Ámbar dorado (021)
	156<=>160	Dorado milenario (778)
161<=>165	Ámbar dorado profundo (135)	
166<=>170	Rojo fuego (164)	
171<=>175	BLANCO1: 2700K	
186<=>200	BLANCO2: 3200K	
201<=>215	BLANCO3: 4000K	
216<=>230	BLANCO4: 5600K	
231<=>245	BLANCO5: 6000K	
246<=>255	BLANCO6: 6500K	

CANAL	VALORES	FUNCIÓN
12		MACRO DE COLORES & BLANCO
	0<=>10	SIN FUNCIÓN
	11<=>30	ROJO 100% / VERDE UP / AZUL 0%
	31<=>50	ROJO DOWN / VERDE 100% / AZUL 0%
	51<=>70	ROJO 0% / VERDE 100% / AZUL UP
	71<=>90	ROJO 0% / VERDE DOWN / AZUL 100%
	91<=>110	ROJO UP / VERDE 0% / AZUL 100%
	111<=>130	ROJO 100% / VERDE 0% / AZUL DOWN
	131<=>150	ROJO 100% / VERDE UP / AZUL UP
	151<=>170	ROJO DOWN / VERDE DOWN / AZUL 100%
	171<=>200	SALIDA MÁXIMA EN TODOS LOS LED
	201<=>205	BLANCO1: 3200K
	206<=>210	BLANCO2: 3400K
	211<=>215	BLANCO3: 4200K
	216<=>220	BLANCO4: 4900K
	221<=>225	BLANCO5: 5600K
	226<=>230	BLANCO6: 5900K
	231<=>235	BLANCO7: 6500K
	236<=>240	BLANCO8: 7200K
	241<=>245	BLANCO9: 8000K
246<=>250	BLANCO10: 8500K	
251<=>255	BLANCO11: 10000K	
13		ESTROBO ESPECIAL
	0<=>9	Sin estrobo
	10<=>99	Estrobo (velocidad creciente)
	100<=>109	Sin estrobo
	110<=>179	Estrobo de iluminación (velocidad creciente)
	180<=>189	Sin estrobo
	190<=>255	Estrobo aleatorio (velocidad creciente)
		ESTROBO 2
	0<=>9	SIN FUNCIÓN
	10<=>255	1~20 Hz

CANAL	VALORES	FUNCIÓN
14		PROGRAMAS AUTOMÁTICOS
	0<=>40	SIN FUNCIÓN
	41<=>50	AUTO01
	51<=>60	AUTO02
	61<=>70	AUTO03
	71<=>80	AUTO04
	81<=>90	AUTO05
	91<=>100	AUTO06
	101<=>110	AUTO07
	111<=>120	AUTO08
	121<=>130	AUTO09
	131<=>140	AUTO10
	141<=>150	CUSTOM01
	151<=>160	CUSTOM02
	161<=>170	CUSTOM03
	171<=>180	CUSTOM04
	181<=>190	CUSTOM05
	191<=>200	CUSTOM06
	201<=>210	CUSTOM07
	211<=>220	CUSTOM08
221<=>230	CUSTOM09	
231<=>255	CUSTOM10	
15		VELOCIDAD AUTOMÁTICA
	0<=>255	Desde velocidad de marcha (velocidad creciente)
16		VELOCIDAD DEL DIMMER
	0<=>9	RESTABLECER CONFIGURACIÓN
	10<=>29	NORMAL
	30<=>69	DIM 1
	70<=>129	DIM 2
	130<=>189	DIM 3
	190<=>255	DIM 4

CANAL	VALORES	FUNCIÓN
17		SELECCIÓN DE PÍXELES
	0<=>9	PIX 1, 2, 3 (ESTÁTICO)
	10<=>19	PIX 1 (ESTÁTICO)
	20<=>29	PIX 2 (ESTÁTICO)
	30<=>39	PIX 3 (ESTÁTICO)
	40<=>49	PIX 1, 2 (ESTÁTICO)
	50<=>59	PIX 1, 3 (ESTÁTICO)
	60<=>69	PIX 2, 3 (ESTÁTICO)
	70<=>79	PIX 1, 2, 3 (ESTÁTICO)
	80<=>159	PIX 1, 2, 3 (ESTÁTICO)
	160<=>179	CHASE IZQUIERDA A DERECHA (VELOCIDAD CRECIENTE)
	180<=>199	CHASE DERECHA A IZQUIERDA (VELOCIDAD CRECIENTE)
	200<=>219	CHASE IZQUIERDA - DERECHA - IZQUIERDA (VELOCIDAD CRECIENTE)
	200<=>239	ALEATORIO (VELOCIDAD CRECIENTE)
	240<=>255	PIX 1, 2, 3 (ESTÁTICO)
18	0<=>255	ZOOM
19	000<=>200	SIN FUNCIÓN
	201<=>220	REINICIO DE ZOOM
	221<=>255	SIN FUNCIÓN

AR2.Z

CANAL	VALORES	FUNCIÓN
1	0<=>255	DIMMER
2	0<=>255	ROJO
3	0<=>255	VERDE
4	0<=>255	AZUL
5	0<=>255	BLANCO

CANAL	VALORES	FUNCIÓN
6		VCW
	0<=>5	SIN FUNCIÓN
	6<=>10	Rosa marroquí (790)
	11<=>15	Rosa (157)
	16<=>20	Rosa especial (332)
	21<=>25	Rosa follies (328)
	26<=>30	Rosa fucsia (345)
	31<=>35	Rosa sorpresa (194)
	36<=>40	Azul del Congo (181)
	41<=>45	Azul Tokio (071)
	46<=>50	Azul profundo (120)
	51<=>55	Azul simple (079)
	56<=>60	Azul medio (132)
	61<=>65	Azul doble CT (200)
	66<=>70	Azul State (161)
	71<=>75	Azul CT total (201)
	76<=>80	Azul CT medio (202)
	81<=>85	Azul acero (117)
	86<=>90	Azul claro (353)
	91<=>95	Celeste (118)
	96<=>100	Verde azulado medio (116)
	101<=>105	Verde oscuro (124)
	106<=>110	Verde primario (139)
	111<=>115	Verde musgo (089)
	116<=>120	Verde helecho (122)
	121<=>125	Verde JAS (738)
	126<=>130	Verde lima (088)
	131<=>135	Amarillo primavera (100)
	136<=>140	Ámbar profundo (104)
	141<=>145	Naranja cromo (179)
	146<=>150	Naranja (105)
	151<=>155	Ámbar dorado (021)
156<=>160	Dorado milenario (778)	
161<=>165	Ámbar dorado profundo (135)	
166<=>170	Rojo fuego (164)	
171<=>175	BLANCO1: 2700K	
186<=>200	BLANCO2: 3200K	
201<=>215	BLANCO3: 4000K	
216<=>230	BLANCO4: 5600K	
231<=>245	BLANCO5: 6000K	
246<=>255	BLANCO6: 6500K	
7		ESTROBO 2
	0<=>9	SIN FUNCIÓN
	10<=>255	1~20 Hz

CANAL	VALORES	FUNCIÓN
8	000<=>200	SIN FUNCIÓN
	201<=>220	REINICIO DE ZOOM
	221<=>255	SIN FUNCIÓN

FULL

CANAL	VALORES	FUNCIÓN
1	0<=>255	DIMMER MASTER
2	0<=>255	DIMMER FINO MASTER (o TIEMPO DE PASO si CUS.01-CUS.10 está activado en CH30)
3	0<=>255	ROJO 1 (o TIEMPO DE DEGRADADO si CUS.01-CUS.10 está activado en CH30)
4	0<=>255	ROJO FINO 1
5	0<=>255	VERDE 1
6	0<=>255	VERDE FINO 1
7	0<=>255	AZUL 1
8	0<=>255	AZUL FINO 1
9	0<=>255	BLANCO 1
10	0<=>255	BLANCO FINO 1
11	0<=>255	ROJO 2
12	0<=>255	ROJO FINO 2
13	0<=>255	VERDE 2
14	0<=>255	VERDE FINO 2
15	0<=>255	AZUL 2
16	0<=>255	AZUL FINO 2
17	0<=>255	BLANCO 2
18	0<=>255	BLANCO FINO 2
19	0<=>255	ROJO 3
20	0<=>255	ROJO FINO 3
21	0<=>255	VERDE 3
22	0<=>255	VERDE FINO 3
23	0<=>255	AZUL 3
24	0<=>255	AZUL FINO 3
25	0<=>255	BLANCO 3
26	0<=>255	BLANCO FINO 3

CANAL	VALORES	FUNCIÓN
27		VCW
	0<=>5	SIN FUNCIÓN
	6<=>10	Rosa marroquí (790)
	11<=>15	Rosa (157)
	16<=>20	Rosa especial (332)
	21<=>25	Rosa follies (328)
	26<=>30	Rosa fucsia (345)
	31<=>35	Rosa sorpresa (194)
	36<=>40	Azul del Congo (181)
	41<=>45	Azul Tokio (071)
	46<=>50	Azul profundo (120)
	51<=>55	Azul simple (079)
	56<=>60	Azul medio (132)
	61<=>65	Azul doble CT (200)
	66<=>70	Azul State (161)
	71<=>75	Azul CT total (201)
	76<=>80	Azul CT medio (202)
	81<=>85	Azul acero (117)
	86<=>90	Azul claro (353)
	91<=>95	Celeste (118)
	96<=>100	Verde azulado medio (116)
	101<=>105	Verde oscuro (124)
	106<=>110	Verde primario (139)
	111<=>115	Verde musgo (089)
	116<=>120	Verde helecho (122)
	121<=>125	Verde JAS (738)
	126<=>130	Verde lima (088)
	131<=>135	Amarillo primavera (100)
	136<=>140	Ámbar profundo (104)
	141<=>145	Naranja cromo (179)
	146<=>150	Naranja (105)
	151<=>155	Ámbar dorado (021)
	156<=>160	Dorado milenario (778)
	161<=>165	Ámbar dorado profundo (135)
166<=>170	Rojo fuego (164)	
171<=>175	BLANCO1: 2700K	
186<=>200	BLANCO2: 3200K	
201<=>215	BLANCO3: 4000K	
216<=>230	BLANCO4: 5600K	
231<=>245	BLANCO5: 6000K	
246<=>255	BLANCO6: 6500K	

CANAL	VALORES	FUNCIÓN
28		MACRO DE COLORES & BLANCO
	0<=>10	SIN FUNCIÓN
	11<=>30	ROJO 100% / VERDE UP / AZUL 0%
	31<=>50	ROJO DOWN / VERDE 100% / AZUL 0%
	51<=>70	ROJO 0% / VERDE 100% / AZUL UP
	71<=>90	ROJO 0% / VERDE DOWN / AZUL 100%
	91<=>110	ROJO UP / VERDE 0% / AZUL 100%
	111<=>130	ROJO 100% / VERDE 0% / AZUL DOWN
	131<=>150	ROJO 100% / VERDE UP / AZUL UP
	151<=>170	ROJO DOWN / VERDE DOWN / AZUL 100%
	171<=>200	SALIDA MÁXIMA EN TODOS LOS LED
	201<=>205	BLANCO1: 3200K
	206<=>210	BLANCO2: 3400K
	211<=>215	BLANCO3: 4200K
	216<=>220	BLANCO4: 4900K
	221<=>225	BLANCO5: 5600K
	226<=>230	BLANCO6: 5900K
	231<=>235	BLANCO7: 6500K
236<=>240	BLANCO8: 7200K	
241<=>245	BLANCO9: 8000K	
246<=>250	BLANCO10: 8500K	
251<=>255	BLANCO11: 10000K	
29		ESTROBO ESPECIAL
	0<=>9	Sin estrobo
	10<=>99	Estrobo (velocidad creciente)
	100<=>109	Sin estrobo
	110<=>179	Estrobo de iluminación (velocidad creciente)
	180<=>189	Sin estrobo
	190<=>255	Estrobo aleatorio (velocidad creciente)
		ESTROBO 2
	0<=>9	SIN FUNCIÓN
10<=>255	1~20 Hz	

CANAL	VALORES	FUNCIÓN
30		PROGRAMAS AUTOMÁTICOS
	0<=>40	SIN FUNCIÓN
	41<=>50	AUTO01
	51<=>60	AUTO02
	61<=>70	AUTO03
	71<=>80	AUTO04
	81<=>90	AUTO05
	91<=>100	AUTO06
	101<=>110	AUTO07
	111<=>120	AUTO08
	121<=>130	AUTO09
	131<=>140	AUTO10
	141<=>150	CUSTOM01
	151<=>160	CUSTOM02
	161<=>170	CUSTOM03
	171<=>180	CUSTOM04
	181<=>190	CUSTOM05
	191<=>200	CUSTOM06
	201<=>210	CUSTOM07
	211<=>220	CUSTOM08
221<=>230	CUSTOM09	
231<=>255	CUSTOM10	
31		VELOCIDAD AUTOMÁTICA
	0<=>255	Desde velocidad de marcha (velocidad creciente)
32		VELOCIDAD DEL DIMMER
	0<=>9	RESTABLECER CONFIGURACIÓN
	10<=>29	NORMAL
	30<=>69	DIM 1
	70<=>129	DIM 2
	130<=>189	DIM 3
	190<=>255	DIM 4

CANAL	VALORES	FUNCIÓN
		SELECCIÓN DE PÍXELES
	0<=>9	PIX 1, 2, 3 (ESTÁTICO)
	10<=>19	PIX 1 (ESTÁTICO)
	20<=>29	PIX 2 (ESTÁTICO)
	30<=>39	PIX 3 (ESTÁTICO)
	40<=>49	PIX 1, 2 (ESTÁTICO)
	50<=>59	PIX 1, 3 (ESTÁTICO)
	60<=>69	PIX 2, 3 (ESTÁTICO)
	70<=>79	PIX 1, 2, 3 (ESTÁTICO)
	80<=>159	PIX 1, 2, 3 (ESTÁTICO)
33	160<=>179	CHASE IZQUIERDA A DERECHA (VELOCIDAD CRECI- ENTE)
	180<=>199	CHASE DERECHA A IZQUIERDA (VELOCIDAD CRECI- ENTE)
	200<=>219	CHASE IZQUIERDA - DERECHA - IZQUIERDA (VELOCID- AD CRECIENTE)
	200<=>239	ALEATORIO (VELOCIDAD CRECIENTE)
	240<=>255	PIX 1, 2, 3 (ESTÁTICO)
34	0<=>255	ZOOM
	000<=>200	SIN FUNCIÓN
35	201<=>220	REINICIO DE ZOOM
	221<=>255	SIN FUNCIÓN

PIX1

CANAL	VALORES	FUNCIÓN
1	0<=>255	DIMMER MASTER
2	0<=>255	PIXEL 1 - ROJO
3	0<=>255	PIXEL 1 - VERDE
4	0<=>255	PIXEL 1 - AZUL
5		VCW/PIXEL 1
	0<=>5	SIN FUNCIÓN
	6<=>10	Rosa marroquí (790)
	11<=>15	Rosa (157)
	16<=>20	Rosa especial (332)
	21<=>25	Rosa follies (328)
	26<=>30	Rosa fucsia (345)
	31<=>35	Rosa sorpresa (194)
	36<=>40	Azul del Congo (181)
	41<=>45	Azul Tokio (071)
	46<=>50	Azul profundo (120)
	51<=>55	Azul simple (079)
	56<=>60	Azul medio (132)
	61<=>65	Azul doble CT (200)
	66<=>70	Azul State (161)
	71<=>75	Azul CT total (201)
	76<=>80	Azul CT medio (202)
	81<=>85	Azul acero (117)
	86<=>90	Azul claro (353)
	91<=>95	Celeste (118)
	96<=>100	Verde azulado medio (116)
	101<=>105	Verde oscuro (124)
	106<=>110	Verde primario (139)
	111<=>115	Verde musgo (089)
	116<=>120	Verde helecho (122)
	121<=>125	Verde JAS (738)
	126<=>130	Verde lima (088)
	131<=>135	Amarillo primavera (100)
	136<=>140	Ámbar profundo (104)
	141<=>145	Naranja cromo (179)
	146<=>150	Naranja (105)
	151<=>155	Ámbar dorado (021)
156<=>160	Dorado milenario (778)	
161<=>165	Ámbar dorado profundo (135)	
166<=>170	Rojo fuego (164)	
171<=>175	BLANCO1: 2700K	
186<=>200	BLANCO2: 3200K	
201<=>215	BLANCO3: 4000K	
216<=>230	BLANCO4: 5600K	
231<=>245	BLANCO5: 6000K	
246<=>255	BLANCO6: 6500K	

CANAL	VALORES	FUNCIÓN
6	0<=>255	PIXEL 2 - ROJO
7	0<=>255	PIXEL 2 - VERDE
8	0<=>255	PIXEL 2 - AZUL
9		VCW/PIXEL 2 Verifique valor de canal 5
10	0<=>255	PIXEL 3 - ROJO
11	0<=>255	PIXEL 3 - VERDE
12	0<=>255	PIXEL 3 - AZUL
13		VCW/PIXEL 3 Verifique valor de canal 5

PIX2

CANAL	VALORES	FUNCIÓN
1	0<=>255	DIMMER MASTER
2	0<=>255	PIXEL 1 - ROJO
3	0<=>255	PIXEL 1 - VERDE
4	0<=>255	PIXEL 1 - AZUL
5	0<=>255	PIXEL 1 - BLANCO

CANAL	VALORES	FUNCIÓN
		VCW/PIXEL 1
	0<=>5	SIN FUNCIÓN
	6<=>10	Rosa marroquí (790)
	11<=>15	Rosa (157)
	16<=>20	Rosa especial (332)
	21<=>25	Rosa follies (328)
	26<=>30	Rosa fucsia (345)
	31<=>35	Rosa sorpresa (194)
	36<=>40	Azul del Congo (181)
	41<=>45	Azul Tokio (071)
	46<=>50	Azul profundo (120)
	51<=>55	Azul simple (079)
	56<=>60	Azul medio (132)
	61<=>65	Azul doble CT (200)
	66<=>70	Azul State (161)
	71<=>75	Azul CT total (201)
	76<=>80	Azul CT medio (202)
	81<=>85	Azul acero (117)
	86<=>90	Azul claro (353)
	91<=>95	Celeste (118)
6	96<=>100	Verde azulado medio (116)
	101<=>105	Verde oscuro (124)
	106<=>110	Verde primario (139)
	111<=>115	Verde musgo (089)
	116<=>120	Verde helecho (122)
	121<=>125	Verde JAS (738)
	126<=>130	Verde lima (088)
	131<=>135	Amarillo primavera (100)
	136<=>140	Ámbar profundo (104)
	141<=>145	Naranja cromo (179)
	146<=>150	Naranja (105)
	151<=>155	Ámbar dorado (021)
	156<=>160	Dorado milenario (778)
	161<=>165	Ámbar dorado profundo (135)
	166<=>170	Rojo fuego (164)
	171<=>175	BLANCO1: 2700K
	186<=>200	BLANCO2: 3200K
	201<=>215	BLANCO3: 4000K
	216<=>230	BLANCO4: 5600K
	231<=>245	BLANCO5: 6000K
	246<=>255	BLANCO6: 6500K
7	0<=>255	PIXEL 2 - ROJO
8	0<=>255	PIXEL 2 - VERDE
9	0<=>255	PIXEL 2 - AZUL
10	0<=>255	PIXEL 2 - BLANCO

CANAL	VALORES	FUNCIÓN
11		VCW/PIXEL 2 Verifique valor de canal 6
12	0<=>255	PIXEL 3 - ROJO
13	0<=>255	PIXEL 3 - VERDE
14	0<=>255	PIXEL 3 - AZUL
15	0<=>255	PIXEL 3 - BLANCO
16		VCW/PIXEL 3 Verifique valor de canal 6
17		ESTROBO 2
	0<=>9	SIN FUNCIÓN
	10<=>255	1~20 Hz
18	0<=>255	ZOOM
19	000<=>200	SIN FUNCIÓN
	201<=>220	REINICIO DE ZOOM
	221<=>255	SIN FUNCIÓN



neo.amproweb.com



facebook.com/amprogroup



youtube.com/amprogroup